

Cometic Part #-C9888 Complete Primary Kit FLT, FLHT, FXR 94-UP
Cometic Part #-C9889 Complete Primary Kit FLT, FLHT, FXR 80-93

Cometic Part #-C9261
Starter Shaft Seal 94-UP
All B/T Models
Replaces: 12066
Cometic Part #-C9379
Starter Shaft Seal 89-93
All B/T Models
Replaces: 12053

Cometic Part #-C9441
Inner Primary to Motor
Case O-Ring
All Models L82-99
Replaces: 11147
Cometic Part #-C9536
Inner Primary to Motor
Case O-Ring
All Models 70-E82
Replaces: 11125

Cometic Part #-C9307F1
FLT, FXR B/T Primary
94-UP
Replaces: 34901-94A
Cometic Part #-C9308F1
FLT, FXR B/T Primary
80-93
Replaces: 34901-79A

Cometic Part #-C9305F1
FLT, FXR Inspection Cover 85-UP
Replaces: 34906-85A
Cometic Part #-C9303F1
FLT, FXR Inspection Cover 80-84
Replaces: 34906-79A

Cometic Part #-C9260
Wet Clutch Oil Seal All Models L84-UP
Replaces: 12052
Cometic Part #-C9518
Wet Clutch Oil Seal All Models 70-E84
Replaces: 12052

Cometic Part #-C9662
Derby Cover O-Ring
All Big Twin Models
99-UP
Replaces: 25416-99
Cometic Part #-C9442
Derby Cover O-Ring
All Big Twin Models
L84-98
Replaces: 25416-84
Cometic Part #-C9997F1
Derby Cover Gasket
Replaces O-Ring
All Big Twin Models
99-UP
Replaces: 25416-99C

Cometic Part #-C9309F1
Primary Gasket Softail, Dyna 89-UP
Replaces: 60539-89
Cometic Part #-C9307F1
Primary Gasket Softail, Superglide 65-88
All Four Speeds
Replaces: 60538-81C
Cometic Part #-C9885
94-UP FXST, FXD Primary Kit
Cometic Part #-C9886
89-93 FXST, FXD Primary Kit
Cometic Part #-C9887
65-88 FXST, FX, FL 4-Speed Primary Kit

Cometic Part #-C9261
Starter Shaft Seal 94-UP All B/T Models
Replaces: 12066
Cometic Part #-C9379
Starter Shaft Seal 89-93 All B/T Models
Replaces: 12053

Cometic Part #-C9260
Wet Clutch Oil Seal All Models L84-UP
Replaces: 12052
Cometic Part #-C9518
Wet Clutch Oil Seal All Models 70-E84
Replaces: 12052

Cometic Part #-C9441
Inner Primary to
Motor Case O-Ring All
Models L82-99
Replaces: 11147
Cometic Part #-C9536
Inner Primary to
Motor Case O-Ring All
Models 70-E82
Replaces: 11125

Cometic Part #-C9942F1
Primary Spacer Gasket "Pair"
Softail 95-UP

Cometic Part #-C9338F1
Derby Cover Gasket
All 4 Speed Models 70-83
Replaces: 25416-70
Cometic Part #-C9662
Derby Cover O-Ring
All Big Twin Models
99-UP
Replaces: 25416-99
Cometic Part #-C9442
Derby Cover O-Ring
All Big Twin Models
L84-98
Replaces: 25416-84
Cometic Part #-C9997F1
Derby Cover Gasket
Replaces O-Ring
All Big Twin Models
99-UP
Replaces: 25416-99C

Cometic Part #-C9331F1 Inspection Cover Gasket
Dyna & Softail, 4 & 5 Speed 65-UP

Illustrations courtesy:

Clymer® Publications Clymer.com



Gaskets for Harley-Davidson®

AFM® Series Gaskets
Aluminum Foamet Composite Material

Big Twin Primary Gasket & Seal Kits

(All kits contain all Gaskets and Seals needed to R&R Inner & Outer Primary)

Cometic Part #	Description	Price
C9173	07-UP FL Models Primary Kit NEW!	\$80.25
C9150	06-UP Dyna Primary Kit, 07-UP Softail NEW!	\$80.25
C9885	94-UP FXST, 94-05 FXD Primary Kit	\$89.90
C9888	94-UP FLT, FLHT, FXR Primary Kit	\$85.45
C9886	89-93 FXST, FXD Primary Kit	\$85.45
C9889	80-93 FLT, FLHT, FXR Primary Kit	\$65.40
C9887	65-88 FXST, FX, FL 4-Speed Primary Kit	\$65.40

Primary Gaskets Big Twin, Twin Cam

Cometic Part #	OE#	Description	Single Price	5 Pack Price
Single	5 Pack			
C9179F1	C9179F5	34901-07 07-UP FL Models Primary NEW!	\$29.70	\$133.60
C9145F1	C9145F5	60547-06 06-UP Dyna, 07-UP Softail NEW!	\$29.70	\$133.60
C9199F1	C9199F5	34934-06 06 Dyna, 07-UP All T/C Inner Primary spacer NEW!	Call for Price	
C9942F1	C9942F5	63859-95A 95-UP Softail primary spacer gasket (Pair)	\$1.95	\$8.60
C9307F1	C9307F5	34901-94A 94-UP FLT, FXR Big Twin Primary	\$29.70	\$133.00
C9308F1	C9308F5	34901-79A 80-93 Big Twin Primary FLT/FXR	\$29.70	\$133.60
C9309F1	C9309F5	60539-89 89-UP Softail, 89-05 Dyna	\$29.70	\$133.60
C9607F1	C9607F5	60538-81C 65-88 FXST, FX / FL 4 -SPEED	\$29.70	\$133.60

Inspection Cover Gaskets Big Twin , Twin Cam

Cometic Part #	OE#	Description	Single Price	5 Pack Price
Single	5 Pack			
C9305F1	C9305F5	34906-85A 85-UP FXR, FLT Insp. Cover	\$7.10	\$28.35
C9303F1	C9303F5	34906-79A 80-84 FXR,FLT Insp. Cover	\$6.65	\$28.35
C9326F1	C9326F5	60567-36 36-58-64-69 FL, XLCH Inspection Cover	\$3.50	\$18.10
C9331F1	C9331F5	60567-65B 65-UP Softail 4&5 Speed, 89-05 Dyna Inspection Cover	\$4.65	\$20.40

Derby Cover Gasket Big Twin

Cometic Part #	OE#	Description	Single Price	5 Pack Price
Single	5 Pack			
C9997F1	C9997F5	25416-99C 99-Present Derby Cover Replaces O-ring, 5 Hole NEW!	\$5.40	\$23.60
C9183F1	C9183F5	84-98 All Derby Cover Replaces o-Ring , 3 Hole NEW!	\$5.40	\$23.60
C9152F1	C9152F5	17369-06 06-UP Dyna, 07-UP All Twin Cam Models O-ring NEW!	\$6.65	\$33.40
C9338F1	C9338F5	25416-70 70-83 FL, FXR Derby Cover	\$6.65	\$33.40

Cam Cover Gaskets Big Twin , Twin Cam

Cometic Part #	OE#	Description	Single Price	5 Pack Price
Single	5 Pack			
C9575F1	C9575F5	25244-99 99-UP Twin Cam, Cam Cover	\$9.65	\$48.05
C9328F1	C9328F5	25225-93X 93-98 Big Twin Cam Cover	\$5.95	\$29.50
C9302F1	C9302F5	25225-70X 70-92 Big Twin Cam Cover	\$5.95	\$26.05
C9334F1	C9334F5	25225-36C 41-69 Big Twin Cam Cover	\$12.20	\$48.80

Sportster Primary Gasket and Seal Kit

Cometic Part #	Description	Price
C9125	04-UP Sportster Complete Primary Rebuild	\$26.75

Sportster Primary Gasket

Cometic Part #	OE#	Description	Single Price	5 Pack Price
Single	5 Pack			
C9943F1	C9943F5	34955-04 04-UP Sportster Primary	\$20.60	\$92.60
C9314F1	C9314F5	34955-89A 91-03 Sporty Primary	\$20.60	\$92.60
C9310F1	C9310F5	34955-75X 86-90 Sporty Primary	\$20.60	\$92.60

Sportster Cam Cover Gasket

Cometic Part #	OE#	Description	Single Price	5 Pack Price
Single	5 Pack			
C9944F1	C9944F5	25263-90D 04-UP Sportster Cam Cover	\$20.60	\$92.60
C9313F1	C9313F5	25263-90B 91-03 Sporty Cam Cover	\$10.70	\$53.40
C9311F1	C9311F5	25263-86 86-90 Sporty Cam Cover	\$11.90	\$59.35



Gaskets for Harley-Davidson®

MLS® Multi-Layer Steel

Head & Base Gaskets

Part #	Description	Price
--------	-------------	-------

V - Rod "MLS" Head Gaskets (Pairs)

C9895	V-Rod .027" Std Bore Head Gasket	\$83.85
C9896	V-Rod .030" Std Bore Head Gasket	\$83.85
C9897	V-Rod .027" 4.250" Bore Head Gasket	\$83.85
C9898	V-Rod .030" 4.250" Bore Head Gasket	\$83.85

V - Rod "EXTREME DUTY" Exhaust Gaskets (Pair)

C9928	V-Rod Extreme Performance Exhaust Gasket NEW!	\$9.60
-------	------------------------------------------------------	--------

Twin Cam "MLS" Head Gaskets (Pairs)

**2007 Twin Cams 96" displacement increase was made by increasing the stroke to 4.380" std. 96" and big bore 103" are the same bore size as 88" and 95" bores.*

C9790	Head Gasket .030" MLS All Twin Cam Models Std bore 1999-Up	\$39.65
C9745	Head Gasket .040" MLS All Twin Cam Models Std bore 1999-Up	\$43.90
C9180	Head Gasket .045" MLS All Twin Cam Models Std bore 1999-Up	NEW! \$39.65
C9157	Head Gasket .051" MLS All Twin Cam Models Std bore 1999-Up	NEW! \$39.65
C9158	Head Gasket .060" MLS All Twin Cam Models Std bore 1999-Up	NEW! \$58.85
C9721	Head Gasket .030" MLS All Twin Cam Models 95" & 103" 1999-Up	\$39.65
C9722	Head Gasket .040" MLS All Twin Cam Models 95" & 103" 1999-Up	\$39.65
C9132	Head Gasket .045" MLS All Twin Cam Models 95" & 103" 1999-Up	\$39.65
C9134	Head Gasket .051" MLS All Twin Cam Models 95" & 103" 1999-Up	\$39.65
C9135	Head Gasket .060" MLS All Twin Cam Models 95" & 103" 1999-Up	\$58.85
C9725	4.000" Bore .030" MLS All Twin Cam Models 1999 - Up	\$39.65
C9726	4.000" Bore .040" MLS All Twin Cam Models 1999 - Up	\$39.65
C9910	4.125" Bore .030" MLS All Twin Cam Models 1999 - Up	\$39.65
C9743	4.125" Bore .040" MLS All Twin Cam Models 1999 - Up	\$39.65
C9930	S&S Super Sidewinder + 4 1/8" H/G Pair .027" MLS	\$39.65
C9931	S&S Super Sidewinder + 4 1/8" H/G Pair .030" MLS	\$39.65
C9932	S&S Super Sidewinder + 4 1/8" H/G Pair .036" MLS	\$39.65
C9933	S&S Super Sidewinder + 4 1/8" H/G Pair .040" MLS	\$39.65
C9934	S&S Super Sidewinder + 4 1/8" H/G Pair .045" MLS	\$39.65

Twin Cam SLS Base Gasket (Pairs) Single Layer Steel

C9937	4" Twin Cam Base gasket .010" Pair	\$21.00
C9738	4" Twin Cam Base gasket .020" Pair	\$21.00
C9938	4.125" Twin Cam Base gasket .010" Pair	\$21.00
C9739	4.125" Twin Cam Base gasket .020" Pair	\$21.00
C9935	S&S Super Sidewinder + 4 1/8" Base gasket pair .010"	\$21.00
C9936	S&S Super Sidewinder + 4 1/8" Base gasket pair .020"	\$21.00

EVO Big Twin & Sportster MLS Head Gaskets (Pairs)

C9688	Stock EVO's 3.570" .030"	\$39.65
C9689	Stock EVO's 3.570" .040"	\$39.65
C9180	Stock EVO's 3.570" .060" NEW!	\$58.85
C9690	3 5/8" Big Bore EVO's .030"	\$39.65
C9691	3 5/8" Big Bore EVO's .040"	\$39.65
C9694	3 3/4" Big Bore EVO's .030"	\$39.65
C9695	3 3/4" Big Bore EVO's .040"	\$39.65
C9692	3 13/16" Big Bore EVO's .030"	\$39.65
C9693	3 13/16" Big Bore EVO's .040"	\$39.65

Head & Base Gaskets

Part #	Description	Price
--------	-------------	-------

EVO Big Twin & Sportster MLS Head Gaskets (Pairs)

C9877	4.000" Bore S&S and TP cylinders .027"	\$39.65
C9878	4.000" Bore S&S and TP cylinders .030"	\$39.65
C9879	4.000" Bore S&S and TP cylinders .036"	\$39.65
C9880	4.000" Bore S&S and TP cylinders .040"	\$39.65
C9881	4.125" Bore TP cylinders .027"	\$39.65
C9882	4.125" Bore TP cylinders .030"	\$39.65
C9883	4.125" Bore TP cylinders .036"	\$39.65
C9884	4.125" Bore TP cylinders .040"	\$39.65

EVO Big Twin SLS Base Gaskets (Pairs) Single Layer Steel

C9101	1340 Evolution B/T STD bore .010"	\$21.00
C9551	1340 Evolution B/T STD bore .020"	\$21.00
C9532	3 5/8" & 3 3/4" Big Bore 1340 B/T EVO's .010"	\$21.00
C9552	3 5/8" & 3 3/4" Big Bore 1340 B/T EVO's .020"	\$21.00
C9869	3 13/16" Evolution B/T .010"	\$21.00
C9870	3 13/16" Evolution B/T .020"	\$21.00
C9871	4.000" S&S and TP cylinder .010"	\$21.00
C9872	4.000" S&S and TP cylinder .020"	\$21.00
C9873	4.125" TP cylinder .010"	\$21.00
C9874	4.125" TP cylinder .020"	\$21.00

EVO Sportster SLS Base Gaskets (Pairs) Single Layer Steel

C9100	883/1200 EVO Sportsters .010"	\$21.00
C9553	883/1200 EVO Sportsters .020"	\$21.00
C9554	3 5/8" Big Bore 883/1200 EVO Sportsters .010" (Also fits Wiseco 3 3/4" steel sleeve b/bore)	\$21.00
C9555	3 5/8" Big Bore 883/1200 EVO Sportsters .020" (Also fits Wiseco 3 3/4" steel sleeve b/bore)	\$21.00
C9875	3 3/4" & 3 13/16" Evo Sporty Millenium Cylinders .010" (Either bore utilizes a 4.00" O.D. Spigot Diameter)	\$21.00
C9876	3 3/4" & 3 13/16" Evo Sporty Millenium Cylinders .020" (Either bore utilizes a 4.00" O.D. Spigot Diameter)	\$21.00

Shovelhead and Panhead MLS Head Gaskets (Pairs)

C9984	Head Gasket .040" MLS Shovelhead 74" & 80" Std. Bore 1966-84	\$39.65
C9985	Head Gasket .040" MLS Shovelhead 3 5/8" Big Bore 1966-84	\$39.65
C9137	Head Gasket .040" MLS Panhead 1948-65	\$39.65

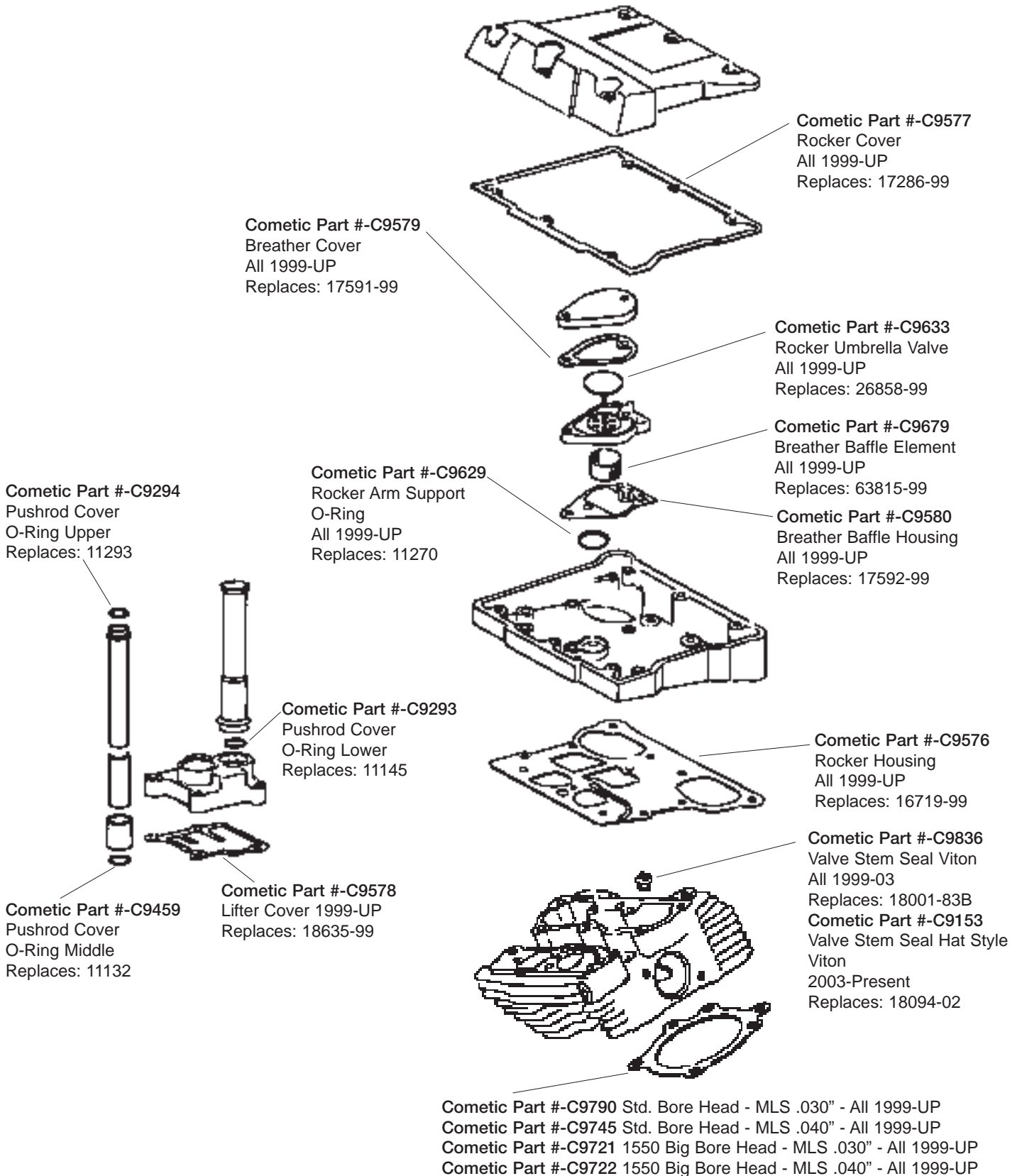
Shovelhead and Panhead SLS Base Gaskets (Pairs)

C9987	Shovel / Panhead Base Front & Rear Set .020" Viton 1948-84	\$21.00
C9988	Shovel / Panhead Base 3 5/8" Front & Rear Set .020" Viton 1948-84	\$21.00
C9989	Shovel / Panhead Base 3 5/8" 2 Fronts for S&S Cylinders Viton 48-84	\$21.00
C9893	Shovel / Panhead Base 3 13/16" .020" RC Metal 1948-84	\$18.05

EVO Viton Coated Steel Rocker Cover Gaskets

Part#	Description / Qty.	Thickness	Price	Part#	Description / Qty.	Thickness	Price
C9865	84-99 One piece Base All Evo's (2)	.020"	\$13.55	C9560	Right - All 883 thru 1340, '84-99 (5)	.010"	\$18.65
C9866	84-99 One piece Base All Evo's (10)	.020"	\$68.00	C9561	Right - All 883 thru 1340, '84-99 (5)	.020"	\$18.65
C9556	Right - All 883 thru 1340, '84-99 (1)	.010"	\$4.10	C9562	Left - All 883 thru 1340, '84-99 (5)	.010"	\$22.20
C9557	Right - All 883 thru 1340, '84-99 (1)	.020"	\$4.10	C9563	Left - All 883 thru 1340, '84-99 (5)	.020"	\$22.20
C9558	Left - All 883 thru 1340, '84-99 (1)	.010"	\$4.70	C9986	66-84 Shovelhead / OE#17540-69 (2)	.020"	\$18.65
C9559	Left - All 883 thru 1340, '84-99 (1)	.020"	\$4.70				

Twin Cam®





Gaskets for Harley-Davidson®

Complete • Top End • Rocker Box Kits & Individual Replacement Parts

Part #	Description	Price
--------	-------------	-------

EST TWIN CAM HI-PERFORMANCE KITS

• **Complete Gasket Kit** (Kits do not contain spacer for 07 models, order separately)

C9171	07 All Softail, Std. Bore NEW!	\$190.10
C9184	07 All Softail, 103" Big Bore NEW!	\$190.10
C9172	07 All FL Models, Std. Bore NEW!	\$190.10
C9185	07 All FL Models, 103" Big Bore NEW!	\$190.10
C9148	06-UP Dyna Models, Std. Bore NEW!	\$138.45
C9186	06-UP Dyna Models, 103" Big Bore NEW!	\$190.10
C9149	06-UP Dyna Models, 95" & 103" Big Bore w/.030" Head Gasket NEW!	\$138.45
C9777F	99-06 Softails, 99-05 Dyna Std. Bore	\$190.10
C9778F	99-06 FLT's, Road King, Std. Bore	\$186.95
C9920	99-06 All Twin Cam Models, 99-05 Dyna "1550" Big Bore Kits	\$138.45
C9161	99-06 All Twin Cam Models, 99-05 Dyna "1550" Big Bore Kits w/.030" Head Gasket NEW!	\$138.45
C9807F	99-06 All Twin Cam Models, 99-05 Dyna 4" Big Bore Kits .030" Head Gasket	\$127.40

• **Top End Gasket Kit**

C9146	03-UP All Twin Cam Motors Std Bore W / Hat Style Valve Stem Seal NEW!	\$98.15
C9147	03-UP All Twin Cam Motors 95" & 103" Big Bore Kit 3.875" w/Hat Style Valve Stem Seal NEW!	\$98.15
C9779	99-UP All Twin Cam Motors Std bore W / .040" Head Gasket	\$121.25
C9845	99-UP All Twin Cam Motors Std bore W / .030" Head Gasket	\$98.15
C9951	99-UP All Twin Cam Motors "1550"cc Big Bore Kit W / .045" Head Gasket	\$98.15
C9780	99-UP All Twin Cam Motors "1550"cc Big Bore Kit W / .040" Head Gasket	\$119.55
C9844	99-UP All Twin Cam Motors "1550"cc Big Bore Kit W / .030" Head Gasket	\$98.15
C9789	99-UP All Twin Cam Motors "FATSO" Top End	\$98.15
C9949	99-UP 4.00" Bore Twin Cam Motors .040" Head Gasket & .020" Base	\$98.15
C9976	99-UP 4 1/8" Bore Twin Cam Motors .040" Head Gasket & .020" Base	\$98.15

• **Twin Cam Motor Only Kit**

C9892	All Twin Cam with 1550 Big Bore, Motor Only Kit, .040" MLS Head Gaskets	\$110.70
C9139	All 4.00" Bore Twin Cam, Motor Only Kit, .040" MLS Head Gaskets	\$110.70
C9140	All 4.00" Bore Twin Cam, Motor Only Kit, .030" MLS Head Gaskets	\$110.70

• **Rocker Box Gasket Kit for 88" & 95" Twin Cam**

C9588	1999-UP 88" & 95" Twin Cam Rocker Box Gasket Kit	\$29.20
C9167	99-UP Screamin Eagle Rocker Box Rebuild w/seals for .530" O.D. guides NEW!	\$36.20
(Kit contains rubber coated metal, embossed rocker gaskets, Kevlar fiber gaskets and nitrile rubber umbrella valves.)		
C9840	1999-UP Twin Cam "FATSO" Rocker Box Rebuild Kit	\$28.10
C9155	S&S Rocker Box Rebuild Kit NEW!	\$48.70

Cometic Part #	OEM Part #	Description	Pkg. Qty.	Price
----------------	------------	-------------	-----------	-------

TWIN CAM INDIVIDUAL REPLACEMENT GASKETS,SEALS, O-RINGS 1999-UP

• **Cam Service Kits for Twin Cam**

C9664	17045-99	Cam Service Kit All T/C Models 1999 -UP	KIT	\$47.70
-------	----------	-----------------------------------------	-----	---------

• **Rocker Box Assembly Gaskets**

C9577	17286-99	Rocker Cover Gasket All Models 1999 -UP .020" Rubber Coated Steel	10	\$69.60
C9579	17591-99	Breather Cover Gasket All Models 1999 -UP	10	\$9.05



Gaskets for Harley-Davidson®

Complete • Top End • Rocker Box Kits & Individual Replacement Parts

Cometic Part #	OEM Part #	Description	Pkg. Qty.	Price
----------------	------------	-------------	-----------	-------

TWIN CAM INDIVIDUAL REPLACEMENT GASKETS,SEALS, O-RINGS 1999-UP

• Rocker Box Assembly Gaskets

C9633	26858-99	Rocker Cover Umbrella Vlv All Models 1999 -UP	10	\$34.50
C9679	63815-99	Breather Filter Element All Models 1999 -UP	10	\$13.30
C9580	17592-99	Breather Baffle Gasket All Models 1999 -UP	10	\$9.05
C9576	16719-99	Rocker Housing Gasket All Models 1999 -UP .020" Rubber Coated Steel	10	\$69.60
C9629	11270	Rocker Arm Support O-ring All Models 1999 -UP	10	\$3.55

• Pushrod, Tappet Gaskets and Valve Stem Seals

C9586		Pushrod Seal Kit, All Twin Cam Models NEW!	KIT	\$3.80
C9294	11293	Pushrod Cvr O-ring UPPER all Models 1999 -UP	10	\$8.95
C9292	11132	Pushrod Cvr O-ring MIDDLE all Models 1999 -UP	25	\$17.90
C9293	11145	Pushrod Cvr O-ring LOWER all Models 1999 -UP	25	\$7.00
C9578	18635-99	Lifter Cvr Gasket All Models 1999 -UP	10	\$6.00
C9166		Viton Valve Seals for Screamin Eagle Heads NEW!	10	\$26.75
C9836		Valve Stem Oil Seal All Models 1999 -UP (VITON)	25	\$64.65
C9023	18001-83B	Valve Stem Oil Seal All Models 1999 -UP (Teflon)	25	\$40.85
C9153	18094-02	Valve Stem Oil Seal Hat Style All Models 02-UP NEW!	25	\$84.30

• Head and Base Gaskets

C9790	16775-99	Head Gasket .030" Spring Steel All Models Std Bore 1999 -UP	2	\$39.65
C9745		Head Gasket .040" Spring Steel All Models Std Bore 1999 -UP	2	\$43.90
C9721		Head Gasket 1550cc .030" Spring Steel; All Models Big Bore 1999-UP	2	\$39.65
C9722		Head Gasket 1550cc (2) .040" Spring Steel; All Models Big Bore 1999-UP	2	\$39.65
C9723		Head Gasket 1550cc .027" Copper; All Models Big Bore 1999-UP *Dowel Pin O-Rings must be used with Copper Head Gaskets*	2	\$21.40
C9725		Head Gasket 4" Twin Cam All Models; .030" Spring Steel 1999-UP	2	\$39.65
C9726		Head Gasket 4" Twin Cam All Models; .040" Spring Steel 1999-UP	2	\$39.65
C9628	11256	Cylinder Base O-ring All Models 1999 -UP	10	\$14.65
C9438	11273	Cylinder Locating Dowel O-ring All Models 1999 -UP	10	\$5.80

• Motor Case O-rings and Seals

C9287	26432-76A	Engine Case Locating Dowel O-ring 1999 -UP	10	\$10.50
C9667	11289	Crankshaft Position Sensor O-ring 1999 -UP	25	\$3.45
C9632	12068	Motor Sprocket Shaft Oil Seal 1999 -UP	5	\$27.25
C9201	27444-00Y	O-ring Starter to primary case	5	\$12.50

• Intake and Exhaust Gaskets

C9540		Exhaust Gasket All Models 99 -UP "EXTREME PERFORMANCE" NEW!	10	\$65.65
C9719		Exhaust Gasket All Models 99 -UP "RACE STYLE"	10	\$35.60
C9288	65324-83A	Exhaust Gasket All Models 99 -UP "TAPERED"	10	\$42.10
C9290	26995-86B	Intake Manifold Seal Carb Models 1999 -UP for Carb & EFI Models	10	\$17.50
C9131		All Twin Cam Carb Models, Intake Manifold Seal Kit Head to Manifold and Carb Seal	Kit	\$8.80
C9088	27002-89	Carb.to Intake Manifold Seal All Models 1999-UP	1	\$5.80



Gaskets for Harley-Davidson®

Complete • Top End • Rocker Box Kits & Individual Replacement Parts

Cometic Part #	OEM Part #	Description	Pkg. Qty.	Price
----------------	------------	-------------	-----------	-------

TWIN CAM INDIVIDUAL REPLACEMENT GASKETS,SEALS, O-RINGS 1999-UP

• Oil and Oil Pump Gaskets

C9437	11286	Outer Oil Pump O-ring All Models 1999 -UP	10	\$2.60
C9449	11301	Oil Pump Inner Small O-ring All Models 1999 -UP	10	\$8.15
C9294	11293	Oil Pump Inner Med O-ring All Models 1999 -UP	10	\$8.95
C9294	11293	Oil Filter Mnt Brkt O-ring All Models 1999 -UP	10	\$8.95
C9440	11140	Piston Cooling Jet O-ring All Models 1999 -UP	10	\$3.95
C9646	26072-99	Oil Pan Gasket DYNA 1999 -UP	10	\$81.30
C9647	26077-99	Oil Pan Gasket (1) FLT 1999 -UP	10	\$81.30

• Primary Housing Gaskets

C9179F1	34901-07	07-UP FL Models Primary Gasket NEW!	1	\$29.70
C9145F1	60547-06	06-UP FL Dyna, 07-UP Softail NEW!	1	\$29.70
C9307F5	34901-94	Primary Gasket FLT, FXR 1994 -UP, AFM .060	5	\$133.60
C9309F5	60539-89	Primary Gasket Softail, Dyna 1989-UP, AFM .060	5	\$133.60
C9662	25416-99	Derby Cover O-ring all Big Twin Models	5	\$17.00
C9997F1	25416-99C	99-Present Derby Cover Gasket Replaces O-ring, 5 hole NEW!	1	\$5.40
C9183F1		84-98 All Derby Cover Gasket Replaces O-ring, 3 hole NEW!	1	\$5.40
C9152F1	17369-06	06-UP Dyna, 07-UP All Twin Cam Models, O-ring NEW!	1	\$5.40
C9305F5	34906-85A	Inspection Cover Gasket FLT, FXR Models 1999 -UP, AFM .060	5	\$28.35
C9331F5	60567-90A	Inspection Cover Gasket Dyna Models 1999 -UP, Softail '00-UP Models, AFM .060	5	\$20.40
C9441	11147	Inner Primary to Case O-ring All Models 1999 -UP	10	\$19.85
C9260	12052	Wet Clutch Oil Seal All Models 1999 -UP	5	\$10.50
C9261	12066	Starter Motor Shaft Oil Seal All Models 1999 -UP	5	\$16.35

• Cam Housing

C9627	11288	Cam Position Sensor O-ring All Models 1999 -UP	10	\$5.40
C9631	11298	Cam Support Plate Plug O-ring All Models 1999 -UP	10	\$3.45
C9575F5	25244-99	Cam Cover Gasket All Models 1999 -UP, AFM .060	5	\$48.05

• Carb and EFI Gaskets

C9626	29062-95	Twin Cam Carb to Backing Plt. Gasket Carb Models 1999 -UP	10	\$14.95
C9634	29313-95	Twin Cam Air Filter Mnt. Gasket Carb Models 1999 -UP	10	\$15.40
C9641	29368-99	EFI T/C Ind Module to Bck Plt Gasket 1999 -UP	10	\$16.40
C9643	29463-99	EFI T/C Filter Element Gskt EFI Only 1999 -UP	10	\$19.30
C9630	11291	EFI T/C MAP Sensor Seal EFI Only 1999-UP	10	\$14.05

Evo Big Twin®

Cometic Part #-C9459
Pushrod O-Ring
Middle 1984-99
Replaces: 11132

Cometic Part #-C9481
Umbrella Valve Seal
1993-99
Replaces: 26856-89

Cometic Part #-C9286
Rocker Cover Washer
1984-99
Replaces: 63858-49

Cometic Part #-C9292
Pushrod O-Ring
Upper 1984-99
Replaces: 11157

Cometic Part #-C9278
Upper Rocker Cover
1992-99
Replaces: 17356-92

Cometic Part #-C9293
Pushrod O-Ring
Lower 1984-99
Replaces: 11145

Cometic Part #-C9282
Lower Rocker Cover
1992-99
Replaces: 17355-92

Cometic Part #-C9297
Rear Tappet Block
Replaces: 18633-48D
Cometic Part #-C9298
Front Tappet Block
Replaces: 18634-48C

Cometic Part #-C9283
Inner Rocker Cover
1984-99
Replaces: 17358-84A

Cometic Part #-C9328
Cam Cover 1993-99
Replaces: 25225-93
Cometic Part #-C9302
Cam Cover 1984-92
Replaces: 25225-70B

Cometic Part #-C9435
Check Valve & Check Ball Cap O-Ring,
All Big Twins Replaces: 11105

Cometic Part #-C9865
One Piece Rocker Base
1984-99
Replaces: 16778-97X &
16779-97X

Cometic Part #-C9384
Oil Pump Cover 1992-99
Replaces: 26276-92
Cometic Part #-C9382
Oil Pump Cover 1984-91
Replaces: 26276-80A

Cometic Part #-C9350
Cam Seal 1984-99
Replaces: 83162-51DL

Cometic Part #-C9836
Valve Stem Seal
1984-99
Replaces: 18001-83A

Cometic Part #-C9383
Oil Pump Body 1992-99
Replaces: 26273-92
Cometic Part #-C9381
Oil Pump Body 1984-91
Replaces: 26273-80B

Cometic Part #-C9290
Intake Manifold Seal
1990-99
Replaces: 26995-86A

Cometic Part #-C9349
Oil Pump Drive Gear Seal, 1984-99
Replaces: 26227-58

Cometic Part #-C9719
Race Style Exhaust
1984-99 "Flat"
Replaces: 65424-83
Cometic Part #-C9288
Std. Exhaust "Tapered"
Replaces: 65324-83A

Cometic Part #-C9684
Oil Pump Lower Cover O-Ring All Big Twins, 1992-98
Replaces: 11241

Cometic Part #-C9688 Std. Bore Head - MLS .030" - 1984-99
Cometic Part #-C9689 Std. Bore Head - MLS .040" - 1984-99



Gaskets for Harley-Davidson®

Complete • Top End • Rocker Box Kits & Individual Replacement Parts

Part # Description Price

EST BIG TWIN EVOLUTION MOTOR KITS

• Complete Gasket Kit

C9748F	92-99 EVO Big Twin	\$235.35
C9846F	92-99 EVO Big Twin W / .030" Head gasket	\$135.95
C9749F	84-88 EVO Big Twin 4 & 5 Spd.	\$198.10
C9847F	84-88 EVO Big Twin 4 & 5 Spd. W / .030" Head gasket	\$132.75
C9750F	84-91 EVO Big Twin FLT, FXR 5 Spd.	\$251.65
C9848F	84-91 EVO Big Twin FLT, FXR 5 Spd. M / .030" Head gasket	\$248.50
C9751F	89-91 EVO Big Twin Softails & Dyna's	\$189.50
C9849F	89-91 EVO Big Twin Softails & Dyna's W / .030" Head gasket	\$158.45

• Big Bore Complete Gasket Kit

C9908	92-99 3 5/8" Bore complete motor kit	\$235.35
C9164	84-91 3 5/8" Bore complete motor kit NEW!	\$132.75
C9974	92-99 3 13/16" Bore complete motor kit	\$132.75
C9940	92-Up 4.00" bore complete motor kit S&S engines, W/S&S Rocker Box Gaskets	\$242.15

• Top End Gasket Kit

C9635	92-99 EVO Big Twin	\$93.50
C9850	92-99 EVO Big Twin W / .030" Head Gasket	\$93.50
C9130	92-99 EVO Big Twin No Rocker Box Rubber Gaskets NEW!	\$71.70
C9747	84-91 EVO Big Twin	\$93.50
C9851	84-91 EVO Big Twin W / .030" Head gasket	\$93.50

• Evo Big Twin Motor Only Gasket Kit

C9890	92-99 Evo Big Twin Std bore, MOTOR Only Kit	\$105.05
C9891	84-91 Evo Big Twin Std bore, MOTOR Only Kit	\$121.20

• Big Bore Top End Gasket Kit

C9766	3 5/8" Bore; 92-99 EVO Big Twin	\$93.50
C9767	3 5/8" Bore; 84-91 EVO Big Twin	\$116.05
C9770	3 3/4" Bore: 92-99 EVO Big Twin	\$95.30
C9771	3 3/4" Bore: 84-91 EVO Big Twin	\$93.50
C9768	3 13/16" Bore; 92-99 EVO Big Twin	\$113.00
C9980	3 13/16" Bore: 92-99 EVO Big Twin, with .030" Head Gasket	\$93.50
C9769	3 13/16" Bore: 84-91 EVO Big Twin	\$93.50
C9917	4.00" Bore S&S Big Twin, W/S&S Rocker Box Gaskets	\$93.50
C9917S	4.00" Bore S&S Big Twin, W/O.E. Rocker Box Gaskets NEW!	\$93.50
C9959	4.00" Bore EVO W/Axtell Cylinder Style Head & Base	\$93.50

• Rocker Box Rebuild Gasket Kit

C9752	92-99 EVO Big Twin	\$42.05
C9753	84-91 EVO Big Twin	\$42.05

STANDARD EVOLUTION MOTOR KITS

• Big Bore Evo 1340 Top End Gasket Kits

C9472	3 13/16" Bore 1992-99 Big Twin 1340 Copper Head Gasket	\$85.45
C9473	3 13/16" Bore 1984-91 Big Twin 1340 Copper Head Gasket	\$104.16

(Kit contains all of the necessary gaskets, seals and o-rings to rebuild your 3 5/8", 3 13/16" or 3 3/4" Evo Big Bore motor from the cylinder base up.)



Gaskets for Harley-Davidson®

Complete • Top End • Rocker Box Kits & Individual Replacement Parts

Cometic Part #	OEM Part #	Description	Pkg. Qty.	Price
----------------	------------	-------------	-----------	-------

1984-99 BIG TWIN EVO INDIVIDUAL REPLACEMENT GASKETS,SEALS, O-RINGS

• Rocker Box Gaskets

C9481	26856-89	93-UP Umbrella Valve Seal	10	\$9.30
C9400	6114	84-99 Rocker Box Washer copper	10	\$5.80
C9286	63858-49	84-99 Rocker Box Washer paper	10	\$5.15
C9706	17356-84	84-91 Upper Rocker Cover Gasket cork	5	\$25.70
C9277	17356-84A	84-91 Upper Rocker Cover Gasket rubber	5	\$25.70
C9278	17356-92	92-99 Upper Rocker Cover Gasket rubber	5	\$25.70
C9283	17358-84A	84-99 Inner Rocker Cover Gasket rubber	5	\$16.35
C9708	17355-84	84-91 Lower Rocker Cover Gasket cork	5	\$25.70
C9281	17355-84A	84-91 Lower Rocker Cover Gasket rubber	5	\$25.70
C9282	17355-92	92-99 Lower Rocker Cover Gasket rubber	5	\$25.70
C9561	16778-97X	84-99 Lower Right Rocker Gasket .020" rubber coated steel	5	\$18.65
C9285	16778-84A	84-99 Lower Right Rocker Gasket fiber	5	\$9.30
C9563	16779-97X	84-99 Lower Left Rocker Gasket .020" rubber coated steel	5	\$22.20
C9284	16779-84A	84-99 Lower Left Rocker Gasket fiber	5	\$15.15
C9865		84-99 One piece Rocker Base all Evo's .020" rubber coated steel	2	\$13.55

• Pushrod and Tappet Guide Gaskets

C9292	11157	84-99 Upper Pushrod Tube O-ring	25	\$17.90
C9459	11132	84-99 Middle Pushrod Tube O-ring	25	\$3.45
C9293	11145	84-99 Lower Pushrod Tube O-ring	25	\$7.00
C9297	18633-48D	84-99 Rear Tappet Block Gasket Hi Density Fiber	10	\$5.80
C9298	18634-48C	84-99 Front Tappet Block Gasket Hi Density Fiber	10	\$7.00
C9586		84-99 Evo Pushrod O-ring Set	Kit	\$3.80
C9836		84-99 Valve Guide Seals "VITON"	25	\$64.65
C9023	18001-83A	84-99 Valve Guide Seals "Teflon"	25	\$40.85

• Head and Base Gaskets

C9688		Stock Bore EVO's 3.570" .030" "MLS" Design	2	\$39.65
C9689		Stock Bore EVO's 3.570" .040" "MLS" Design	2	\$39.65
C9690		3 5/8" Big Bore EVO's .030" "MLS" Design	2	\$39.65
C9691		3 5/8" Big Bore EVO's .040" "MLS" Design	2	\$39.65
C9694		3 3/4" Big Bore EVO's .030" "MLS" Design	2	\$39.65
C9695		3 3/4" Big Bore EVO's .040" "MLS" Design	2	\$39.65
C9692		3 13/16" Big Bore EVO's .030" "MLS" Design	2	\$39.65
C9693		3 13/16" Big Bore EVO's .040" "MLS" Design	2	\$39.65
C9287	26432-76A	84-99 Cylinder Stud Insert O-ring	10	\$10.50
C9551		84-99 Stock Sleeve Cylinder Base Gasket .020" Rubber Coated Steel	2	\$21.00
C9009	16774-86	84-99 Stock Sleeve Cylinder Base Gasket .020' Fiber	2	\$3.95
C9615	16777-86S	84-99 3 5/8" Base Gasket .020" Fiber	2	\$7.05
C9552		84-99 3 5/8" Base Gasket .020" Rubber Coated Metal	2	\$21.00
C9615		84-99 3 3/4" Base Gasket .020" Fiber	2	\$7.05
C9082		84-99 3 13/16" Head Gasket .043" Copper	2	\$34.95

Complete • Top End • Rocker Box Kits & Individual Replacement Parts

Cometic Part #	OEM Part #	Description	Pkg. Qty.	Price
1984-99 BIG TWIN EVO INDIVIDUAL REPLACEMENT GASKETS,SEALS, O-RINGS				
• Head and Base Gaskets				
C9617		84-99 3 13/16" Base Gasket .020" Fiber	2	\$3.55
C9609		84-99 4" Head Gasket .043" copper w / Axtell Cyl.	2	\$34.95
C9621		84-99 4" Base Gasket w / S&S Cyl. .020" Fiber	2	\$7.05
• EVO Cam Service Kits				
C9623		1970-92 All Big Twins	Kit	\$20.30
C9624		1993-99 All Big Twins	Kit	\$16.35
• Cam Housing Gaskets				
C9328F5	25225-93	93-99 Cam Cover Gasket AFM	5	\$29.50
C9302F5	25225-70B	84-92 Cam Cover Gasket AFM	5	\$26.05
C9306	32591-80	84-99 Point Cover Gasket	10	\$9.80
C9350	83162-51DL	84-99 Point Seal double lip	5	\$16.35
• Intake and Exhaust				
C9131		All EVO Intake Manifold Seal Kit, Head to Manifold and Carb Seal	1	\$8.80
C9088	27002-89	89 to Present Carb to Manifold Sealing Ring	1	\$5.80
C9299	29242-83	84-89 Intake to Head Compliance Fitting Gasket	10	\$11.65
C9290	26995-86A	90-99 Intake to Head Compliance Fitting Gasket	10	\$17.50
C9540	01-931	"EXTREME PERFORMANCE" Exhaust Gasket NEW!	10	\$65.65
C9719	65324-83	84-91 Exhaust Port Gasket "RACE STYLE"	10	\$35.60
C9288	65324-83A	92-99 Exhaust Port Gasket "Taper Style"	5	\$42.10
• Oil Pump Gaskets and Seals				
C9168		92-99 Oil Pump Rebuild Kit NEW!	1	\$17.10
C9435	11105	84-99 Oil Pump Cap O-ring	25	\$4.00
C9440	11241	92-99 Oil Pump Cover O-ring	25	\$3.95
C9349	26227-58	84-99 Oil Pump Drive Gear Seal	5	\$10.50
C9383	26273-92	92-99 Oil Pump Body Gasket paper	10	\$8.15
C9381	26273-80B	84-91 Oil Pump Body Gasket paper	10	\$8.15
C9382	26276-80A	84-91 Oil Pump Cover Gasket paper	10	\$7.00
C9384	26276-92	92-99 Oil Pump Cover Gasket paper	10	\$8.15
• Misc. O-ring and Seal				
C9438	11170	95-99 Crankshaft Position Sensor O-ring	25	\$5.80
C9351	12026B	84-99 Sprocket Shaft Seal	5	\$12.85
• Derby Cover Gaskets and O-rings				
C9338F5	25416-70C	70-E84 Derby Cover Gasket , AFM60	5	\$33.40
C9442	25416-84	L84-98 Derby Cover O-ring	10	\$15.15
C9363	31433-84A	84-98 Derby Cover Bolt Washer metal	5	\$5.65
• Inspection Cover Gaskets				
C9303F5	34906-79	80-84 FXR, FLT Primary Inspec. Cover Gasket, AFM60	5	\$28.35
C9305F5	34906-85	85-UP FXR, FLT Primary Inspection Cvr. Gasket, AFM60	5	\$28.35
C9326F5	60567-36	36-64 FL, FLTH, 58-69 XLCH Inspection Cover Gasket, AFM60	5	\$18.10
C9331F5	60567-65C	65-UP Inspec. Cover Gasket Dyna & Softails, AFM60	5	\$20.40



Gaskets for Harley-Davidson®

Complete • Top End • Rocker Box Kits & Individual Replacement Parts

Cometic Part #	OEM Part #	Description	Pkg. Qty.	Price
----------------	------------	-------------	-----------	-------

1984-99 BIG TWIN EVO INDIVIDUAL REPLACEMENT GASKETS,SEALS, O-RINGS

• Inner Primary Gaskets, O-rings

C9536	11125	70-E82 Inner Primary O-ring	10	\$58.00
C9441	11147	L82-99 Inner Primary O-ring	10	\$19.85
C9518	12018	70-E84 Inner Primary Bearing Seal	5	\$12.85
C9260	12052	L84-99 Inner Primary Bearing Seal double lip	5	\$10.50
C9343	60629-55	55-64 Chain Housing to Motor Gasket	10	\$19.65

• Starter Housing Gaskets, O-rings

C9451	11101	L66-82 Starter Oil Deflector O-ring	10	\$3.95
C9433	11116	91-99 Starter Housing O-ring	25	\$5.80
C9436	11171	89-90 Starter Bolt O-ring	10	\$5.80
C9491	12051	L84-88 Starter Shaft Seal	5	\$10.50
C9261	12066	94-99 Starter Shaft Seal	5	\$16.35
C9379	12053	89-93 Starter Shaft Seal	5	\$16.35
C9507	31320-80	80-86 Starter Housing Gasket	10	\$5.80
C9508	31321-80	80-86 Starter Cover Gasket	10	\$12.25
C9509	31341-80-DL	80-86 Starter Shaft Seal	5	\$18.65
C9717	60518-65	65-88 Starter Hole Block Off Gasket	10	\$23.50
C9330	60559-80	65-85 Starter Housing Gasket	10	\$7.00
C9702	60645-65	65-84 Solenoid Mount Gasket	10	\$6.90

• Shifter Shaft Seals

C9484	11117	L84-99 FXR,DYNA Shifter Sleeve O-ring	25	\$10.50
C9357	11148	82-E84 Shifter Shaft Quad Seal	10	10.50
C9661	11191	90-99 FXST, FLST Shift Lever O-ring	25	\$3.80
C9525	60641-74	74-85 Shifter Shaft Seal	5	\$11.65

1936-UP BIG TWIN EVO INDIVIDUAL REPLACEMENT GASKETS,SEALS, O-RINGS

• Seals, O-rings and Washers

C9498	6007	80-98 Drain Plug Washer	10	\$7.40
C9435	11105	90-99 Drain Plug O-ring	10	\$4.00
C9529	11115	65-86 Counter Shaft O-ring	10	\$7.00
C9459	11132	90-99 Dipstick Cover O-ring upper	25	\$3.45
C9667	11140	96-99 Speedometer Sensor O-ring	25	\$3.45
C9495	11162	L84-86 Mainshaft O-ring right end	25	\$5.80
C9361	11165	L84-99 Mainshaft Quad Seal	10	\$11.65
C9530	11166	84-86 Mainshaft Bearing O-ring	25	\$7.00
C9263	11178	87-98 Filler Plug O-ring	10	\$4.65
C9447	11179	87-99 Clutch Cable O-ring	25	\$3.45
C9531	12010	L79-86 Shifter Shaft Seal	5	\$10.50
C9493	12013A	L81-86 Main Drive Gear Seal	5	\$9.85
C9372	12013	L81-86 Main Drive Gear Seal	5	\$9.30
C9494	12014	65-E84 Clutch Hub Nut Seal	5	\$7.00



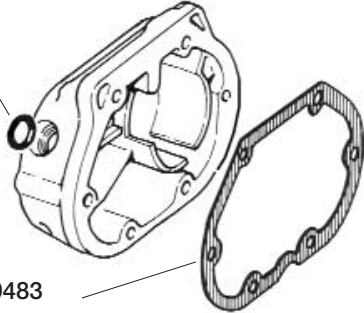
Gaskets for Harley-Davidson®

Complete • Top End • Rocker Box Kits & Individual Replacement Parts

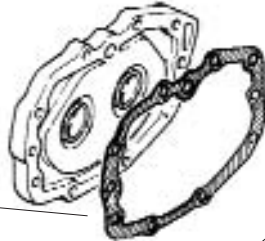
Cometic Part #	OEM Part #	Description	Pkg. Qty.	Price
1936-UP BIG TWIN EVO INDIVIDUAL REPLACEMENT GASKETS,SEALS, O-RINGS				
C9506	12022	L66-E81 Main Drive Gear Seal	5	\$9.85
C9258	12035A	91-99 Main Drive Gear Seal, Transmission	5	\$8.15
C9528	12043	80-86 Starter Shaft Seal	5	\$9.30
C9527	12044DL	80-E84 Main Drive Gear Seal	1	\$7.00
C9259	12045DL	80-99 Shifter Shaft Seal	5	\$10.50
C9359	12050	L84-94 Main Shaft Seal	1	\$4.65
C9262	12067A	95-99 Mainshaft Seal	1	\$5.80
C9497	33043-80	65-95 Neutral Indicator Washer	10	\$7.40
C9374	33076-37	37-86 Starter Crank Seal	10	\$10.50
C9519	34036-36	36-E79 Cam Shaft Seal rubber	10	\$5.80
C9510	34036-80	80-86 Shift Fork Shaft O-ring	10	\$5.80
C9523	35230-39DL	36-79 Mainshaft Seal	5	\$18.65
C9411	35231-36	36-E77 Mainshaft Oil Seal cork washer	10	\$7.00
C9496	37091-80	80-86 Filler Plug Washer	10	\$15.45
C9354	37101-84	84-86 Clutch Release Lever O-ring	1	\$2.30
C9513	37741-67A	L79-81 Mainshaft Seal Double Lip	5	\$23.35
C9514	37741-82DL	82-86 Main Drive Gear Seal Double Lip	5	\$26.85
C9485	62672-90	91-98 Dipstick Cover O-ring	10	\$5.80
C9460	62673-90	91-98 Dipstick O-ring	10	\$3.45
C9403	62702-52	36-86 Drain Plug Washer	10	\$10.50
C9351	12026B	70-98 Mainshaft Seal, Engine	5	\$12.85
C9632	12068	99-UP Twin Cam, 04-UP Sportster Engine Main Shaft Seal	5	\$27.25

Complete Transmission Kits & Individual Gaskets

Cometic Part #-C9459
Trans/Clutch Oil Dipstick
O-Ring, All Big Twin
Replaces: 11132



Cometic Part #-C9483
Clutch Release Cover
All Big Twin 88-UP
Replaces: 36801-87B

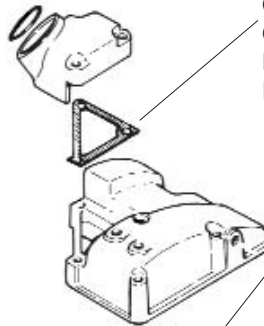


Cometic Part #-C9264
Trans Bearing Cover
All Big Twin 86-98
Replaces: 35652-79B
Cometic Part #-C9644
Trans Bearing Cover
All Big Twin 99-UP
Replaces: 35653-98

Cometic Part #-C9459
Oil Tank Filler Cap O-Ring
Top, Dyna 91-98
Replaces: 11132

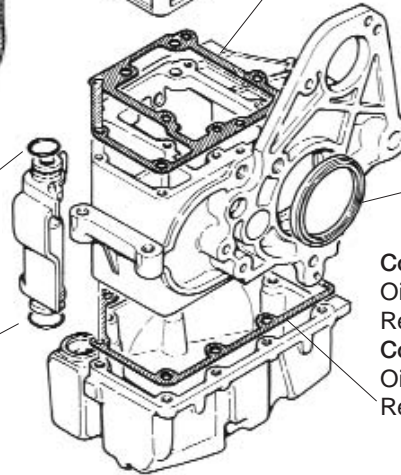
Cometic Part #-C9845
Oil Tank Filler Cap O-Ring
Bottom, Dyna 91-98
Replaces: 62672-90

Cometic Part #-C9460
Oil Dipstick O-Ring
Dyna 91-UP
Replaces: 62673-90



Cometic Part #-C94891F5
Oil Tank Spout
Dyna 91-UP
Replaces: 62423-90

Cometic Part #-C9488
Trans Top Cover
Dyna 91-98
Replaces: 34917-90A



Cometic Part #-C9262
Trans Main Drive Seal
Big Twin L94-UP
Replaces: 12067A

Cometic Part #-C9646
Oil Pan, Dyna 99-UP
Replaces: 26072-99
Cometic Part #-C9490
Oil Pan, Dyna 91-98
Replaces: 26072-90A

Cometic Part #	OEM Part #	Description	Price
----------------	------------	-------------	-------

1936-UP BIG TWIN EVO / TWIN CAM INDIVIDUAL REPLACEMENT GASKETS, SEALS, O-RINGS

•Complete Transmission Kits

C9464	33031-70	E70-E 79 Big Twin	\$46.55
C9464F	33031-70	E70-E 79 Big Twin EST Kit	\$28.90
C9465	33031-80	L79-82 Big Twin 4 Speed	\$43.55
C9466	33031-82	80-E84 Big Twin 5 Speed	\$55.85
C9467	33031-85	L84-92 Big Twin Except Dyna 5 Speeds	\$66.25
C9468	33031-91	91-99 Dyna & FXDB-S Evolution Models	\$36.15
C9469	33031-93	93-99 FLT, FLH, FXR, Dyna & Softails Evolution Models w/Fiber	\$52.35
C9469F		93-99 FLT, FLH, FXR, Dyna & Softails Evolution Models w/AFM	\$27.60
C9639	26072-99	99-UP FLT, FLH, Softail 00-UP, Twin Cam Models w/Fiber	\$30.35
C9639F		99-UP FLT, FLH, Softail 00-UP, Twin Cam Models w/AFM	\$26.25
C9640	26072-99	99-05 Dyna Twin Cam Models	\$30.35
C9151		06-UP Dyna Twin Cam 6 Speed Trans Kit NEW!	\$48.15
C9174		07-UP Softail Models Twin Cam 6 Speed Trans Kit NEW!	\$66.25
C9175		07-UP FL Models Twin Cam 6 Speed Trans Kit NEW!	\$66.25

(Kit contains all of the necessary gaskets, seals, o-rings, end cover, top cover gaskets and all washers needed to completely rebuild the transmission)



Gaskets for Harley-Davidson®

Complete Transmission Kits & Individual Gaskets

1936-UP BIG TWIN EVO / TWIN CAM INDIVIDUAL REPLACEMENT GASKETS,SEALS, O-RINGS

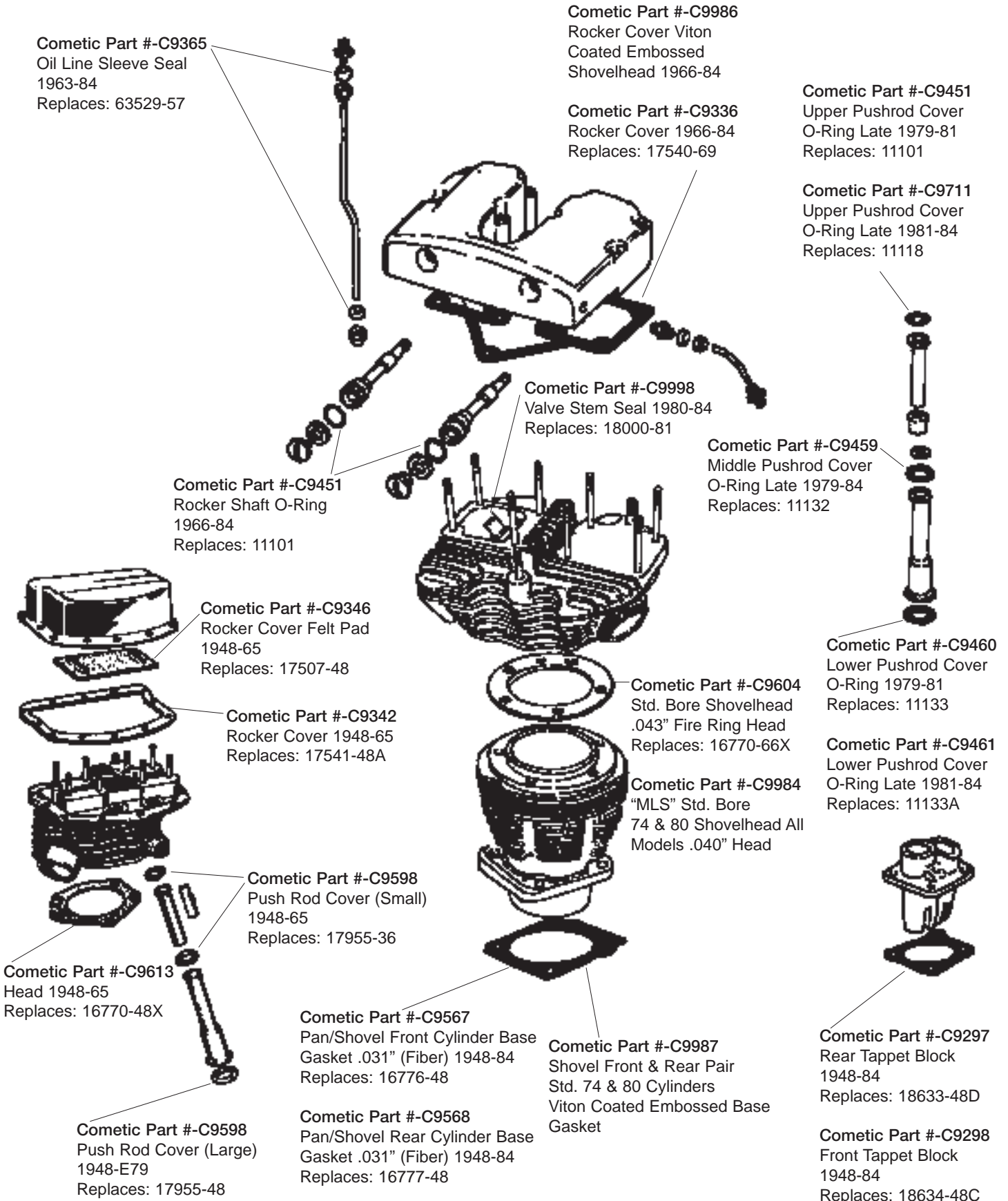
• Transmission Gaskets

Cometic Part #	OEM Part #	Description	Pkg. Qty.	Price
C9490	26072-90	90-98 Oil Pan Gasket Dyna	10	\$37.35
C9265	26077-93	93-98 Oil Pan Gasket FLT	5	\$40.65
C9517	33196-79	L79-86 Shifter Cover Gasket	10	\$7.00
C9515	33295-36	36-86 End Cover Gasket	10	\$14.25
C9520	34552-52	52-E79 Ratchet Cover Gasket	10	\$12.85
C9521	34565-52	52-E79 Shifter Adapter Plate Gasket	10	\$5.80
C9522	34824-36	36-E79 Top Cover Gasket	10	\$8.15
C9516	34824-79	L79-86 Top Cover Gasket	10	\$5.80
C9499	34904-79	80-86 Top Cover Gasket	10	\$25.75
C9983	34904-86B	87-99 Top Cover Gasket "Thin Version"	10	\$20.90
C9488	34917-90A	90-98 Top Cover Gasket Dyna	10	\$30.00
C9264	35652-79A	80-98 Bearing Housing Gasket	10	\$27.55
C9526	36801-79	80-86 End Cover Gasket	10	\$15.35
C9483	36801-87B	87-UP Trans End Cover Gasket All Models	10	\$22.05
C9489	62423-90	91-98 Dyna Oil Filler Spout Gasket	10	\$10.50
C9266	62432-93	93-99 FLT Oil Filler Spout Gasket	10	\$40.65
C9512	67141-36	36-83 Speedometer Drive Gasket	10	\$5.80
C9642	11290	Twin Cam Neutral Ind. Switch O-ring All Models 1999 -UP	10	\$10.55
C9644	35653-98	T/C Bearing Housing Gasket All Models 1999 -UP	10	\$22.80
C9190	35607-06	Trans to Eng. Case Gasket Dyna 06-UP & FL 07-UP Models NEW!	1	\$22.05
C9187	35654-06	T/C Bearing Housing Gasket All Models 07 -UP NEW!	10	\$22.80
C9483	36801-87B	T/C Trans End Cvr Gasket All Models 1998 -UP	10	\$22.05
C9267	34904-86XC	T/C Trans Cover Gasket All Models 1999 -UP "Wide Version"	10	\$20.55
C9188	36805-06	T/C Trans End Cover All Models 07-UP NEW!	10	\$22.05
C9266	62432-93	T/C Oil Tank Filler Spout Gasket FLT's 1999-UP	10	\$40.65
C9647	26077-99	T/C Oil Pan Gasket FLT's 1999-UP	10	\$81.30
C9645	34917-99	T/C DYNA Trans. Top Cover Gasket 1999-UP	10	\$20.50
C9189	34917-06	T/C Trans. Top Cover Gasket 07-UP All Models NEW!	10	\$20.50
C9646	26072-99	T/C DYNA Oil Pan Gasket 1999-UP	10	\$81.30
C9200	12077	06 DYNA, All 07-UP Oil Seals Output Gear NEW!	10	\$59.50

• Carburetor Gaskets

C9452	11107	66-71 XL, 67-70 Big Twin Tillotson Spacer O-ring	10	\$9.30
C9088	27002-89	88-98 XL, 90-99 Big Twin Keihin CV Seal Ring	1	\$5.80
C9417	27023-71	72- E76, 79-85 XL; 71-75 Big Twin Bendix Manifold Gasket	10	\$5.40
C9425	27077-78	78-89 Big Twin Keihin Manifold Gasket	10	\$5.80
C9300	29058-77	L76-87 XL, 76-89 Big Twin Keihin air cleaner Gasket	10	\$7.90
C9301	29059-88	88-98 XL, 90-99 Big Twin Keihin CV Air Cleaner Gasket	20	\$14.70

Shovelhead & Panhead®





Gaskets for Harley-Davidson®

Complete • Top End • Rocker Box Kits & Individual Replacement Parts

Cometic Part #	Description	OEM Part #	Price
EST MOTOR KITS FOR SHOVELHEAD & PANHEAD MOTORS			
• Complete EST Gasket Kits for Shovelhead/Panhead			
C9900	1966-69 74" Shovelhead FL, FLH	17029-66	\$147.55
C9964	1970-84 74" & 80" Shovelhead 4 Spd.	17029-70A	\$125.15
C9154	1970-84 3 5/8" Shovelhead 4 Spd.		\$162.85
C9965	1980-84 80" Shovelhead 5 Spd. FLT	17029-80	\$180.40
C9966	1948-65 Panhead FL, FLH	17028-48	\$125.15
• Top End EST Gasket Kits for Shovelhead/Panhead			
C9967	1966-84 74" & 80" Shovelhead 4 or 5 Spd.	17034-66X	\$88.15
C9968	1948-65 Panhead FL, FLH	17034-48	\$88.15
• Big Bore Shovelhead Top End Gasket Kits			
C9918	3 5/8" Bore 1966-84 All Models		\$88.15
C9969	3 13/16" Bore 1966-84 All Models, No Oil Drains in Head Gasket		\$88.15
EST Kits contain MLS head gaskets, steel viton coated base gaskets and AFM material			

Complete • Top End • Rocker Box Kits & Individual Replacement Parts

Cometic Part #	OEM Part #	Description	Pkg. Qty.	Price
1936-84 BIG TWIN PAN/SHOVEL INDIVIDUAL REPLACEMENT GASKETS,SEALS, O-RINGS				
• Rocker Housing Gaskets and O-rings				
C9986	17540-69	66-84 Rocker Cover Gasket .020" Viton Coated Emb. Steel	2	\$18.65
C9336	17540-69	66-84 Rocker Cover Gasket .031" Fiber	10	\$16.55
C9342	17541-48A	48-65 Rocker Cover Gasket .031" Fiber	10	\$39.20
C9346	17507-48	48-65 Rocker Cover Felt Pad	10	\$19.85
C9451	11101	66-84 Rocker Shaft O-ring	25	\$3.95
C9424	18000-81	L81-84 Valve Guide Seal "Teflon"	25	\$39.85
C9419	18196-51	51-29 Valve Guide Gasket	20	\$9.80
C9998		Late Shovelhead & .625" O.D. Guides "Viton" Seal with garter	20	\$42.40
• Push Rod O-rings and Tappet Block Gaskets				
C9598	17955-36	36-E79 Push Rod Cover small cork	25	\$7.70
C9606	17955-48	48-E79 PushRod Cover Large cork	25	\$7.00
C9451	11101	L79-E81 Push Rod Cover O-ring Upper	10	\$3.95
C9459	11132	L79-84 Push Rod Cover O-ring Middle	25	\$3.45
C9460	11133	L79-E81 Push Rod Cover O-ring Lower	5	\$3.45
C9711	11118	L81-84 Push Rod Cover O-ring Upper	25	\$17.55
C9461	11133	L79-E81 Push Rod Cover Quad Seal Lower	10	\$8.15
C9297	18633-48D	48-84 Rear Tappet Block Gasket .020" Fiber	10	\$5.80
C9298	18634-48C	48-84 Front Tappet Block Gasket .020" Fiber	10	\$7.00



Gaskets for Harley-Davidson®

Complete • Top End • Rocker Box Kits & Individual Replacement Parts

Cometic Part #	OEM Part #	Description	Pkg. Qty.	Price
• Head and Base Gaskets				
C9984	16770-66X	66-84 Shovelhead "MLS" Stock Bore Head Gasket 74" & 80" .040"	2	\$39.65
C9985		66-84 Shovelhead "MLS" 3 5/8 BB Head Gasket .040"	2	\$39.65
C9987		66-84 Shovelhead Base Front & Rear .020" "Viton"	2	\$21.00
C9988		66-84 Shovelhead Base 3 5/8 Front & Rear .020" "Viton"	2	\$21.00
C9989		66-84 Shovelhead Base 3 5/8 2 Fronts for S&S Cylinders "Viton"	2	\$21.00
C9714		66-84 Shovelhead Stock Bore Head Gasket; .032" Copper	2	\$17.45
C9713		66-84 Shovelhead 3 5/8" Copper Head Gasket: .032"	2	\$17.45
C9618		66-84 Shovelhead 3 5/8" Base Gasket: .031" Fiber	2	\$7.05
C9893		66-84 Shovelhead 3 13/16" Base Gasket: .020" RC Metal	2	\$18.05
C9567	16776-48	48-84 Pan/Shovel Front Cyl. Std. Bore base Gasket; .031 Fiber	10	\$18.40
C9568	16777-48	48-84 Pan/Shovel Rear Cyl. Std. Bore base Gasket; .031 Fiber	10	\$18.40
C9137	16770-48MLS	48-65 Panhead .040" MLS Head Gasket Pair	2	\$39.65
• Cam / Gear Housing Gaskets and Seals				
C9334F5	25225-36C	41-69 Gear Cover Gasket, AFM60	5	\$48.80
C9302F5	25225-70B	70-84 Cam Cover Gasket, AFM60	5	\$26.05
C9323	32591-70	70-79 Points Cover Gasket	10	\$9.85
C9306	32591-80	80-84 Points Cover Gasket	10	\$9.80
C9350	83162-51DL	70-84 Cam Cover Seal / Double Lip	5	\$16.35
C9337	32521-36	36-64 Timer Base Gasket	10	\$4.65
• Intake and Exhaust Gaskets				
C9453	27060-55	55-E78 Manifold to Head O-ring	10	\$5.80
C9608	27062-78	L78-84 Intake Seal Manifold to Head Rubber Band	10	\$17.40
C9587	65834-68X	66-84 Exhaust Gasket with Fire Ring	10	\$28.75
• Oil Pump and Related Gaskets / Seals				
C9435	1105	L70-84 Oil Screen Pump Plug O-ring	10	\$4.00
C9349	26227-58	68-84 Oil Pump Seal	5	\$10.50
C9715	26231-78	54-80 Oil Pump Relief Plug Gasket	10	\$11.65
C9397	26244-37	37-59 Oil Pump Body Gasket	10	\$7.90
C9393	26245-41	41-67 Oil Pump Gasket Fiber	10	\$7.35
C9391	26246-68D	68-E80 Oil Pump Body Fiber	10	\$7.00
C9394	26257-50A	L50-67 Oil Pump Cover Fiber	10	\$7.00
C9392	26258-68D	68-E80 Oil Pump Cover Gasket Fiber	10	\$11.65
C9382	26276-80A	L80-84 Oil Pump Cover Gasket Fiber	10	\$7.00
C9403	62702-52	66-E70 Oil Screen Plug Gasket	10	\$10.50
C9365	63529-57	63-84 Oil Line Sleeve Seal	10	\$7.90
C9351	12026A	70-84 Motor Main Shaft Seal	5	\$12.85
• Generator Gaskets / Seals				
C9322	30143-30	36-57 Gen. Gasket	10	\$9.30
C9321	30143-58	58-69 Gen. Gasket	5	\$4.65

Evolution Sportster®

Cometic Part #-C9294
Pushrod Tube O-Ring
Upper 1991-03
Replaces: 11190

Cometic Part #-C9481
Umbrella Valve Seal
1991-03
Replaces: 26856-89

Cometic Part #-C9286
Rocker Cover Washer
1987-03
Replaces: 63858-49

Cometic Part #-C9276
Upper Rocker Box
1991-03
Replaces: 17354-89

Cometic Part #-C9276
Lower Rocker Box
1991-04
Replaces: 17353-89A

Cometic Part #-C9283
Center Rocker Box
Replaces: 17358-84A

Cometic Part #-C9295
Pushrod Tube O-Ring
Lower 1991-03
Replaces: 17944-89

Cometic Part #-C9296
Anti Rotation Pin O-Ring
1991-03
Replaces: 11176

Cometic Part #-C9865
One Piece Rocker Base
1986-04
Replaces: 16778-97X &
16779-97X

Cometic Part #-C9355
Cam Seal 1986-03
Replaces: 11124-DL

Cometic Part #-C9836
Viton Valve Stem Seal
1986-02
Replaces: 18001-83A

Cometic Part #-C9290
Intake Manifold to
Head Seal
Replaces: 26995-86B

Cometic Part #-C9944F1
Cam Cover 2004-UP
Replaces: 25263-90D AFM
Cometic Part #-C9313F1
Cam Cover 1991-03
Replaces: 25263-90B AFM
Cometic Part #-C9311F1
Cam Cover 1986-90
Replaces: 25263-86 AFM

Cometic Part #-C9719
Race Style Exhaust
Replaces: 65324-83

Cometic Part #-C9288
Std. Exhaust
Replaces: 65324-83

Cometic Part #-C9688
Std. Bore Head .040" MLS
1200 1986-04

Cometic Part #-C9689
Std. Bore Head .030" MLS
1200 1986-04



Gaskets for Harley-Davidson®

Complete • Top End • Rocker Box Kits & Individual Replacement Parts

Part # Description Price

EST BUELL FIREBOLT and BLAST

• Top End and Complete Motor Rebuild Gasket Kits

C9856	Buell Firebolt Top End Rebuild Kit Std. Bore	\$93.50
C9857	Buell Firebolt Complete Motor Rebuild Kit Std. Bore	\$132.75
C9863	Buell Blast Big Bore Top End Rebuild	\$74.10
C9864	Buell Blast Big Bore Complete Motor Kit	\$110.10

EST EVO SPORTSTER MOTOR GASKET KITS

• Complete Gasket Kits

C9754F	86-90 883 EVO Sportster	\$159.25
C9755F	91-03 883 EVO Sportster	\$170.10
C9193	04-06 883 EVO Sportster NEW!	\$190.95
C9191	07 883 EVO Sportster NEW!	\$190.95
C9756F	86-87 1100 EVO Sportster	\$132.75
C9757F	88-90 1200 EVO Sportster	\$174.50
C9758F	91-03 1200 EVO Sportster	\$184.50
C9855F	91-03 1200 EVO Sportster W / .030" Head Gasket	\$132.75
C9133	91-03 1200 EVO Sportster 3 13/16" Big Bore w/.040" Head Gasket NEW!	\$132.75
C9124	91-03 1200 EVO Sportster 3 13/16" Big Bore W / .030" Head Gasket	\$132.75
C9952	04-06 1200 EVO Sportster	\$132.75
C9953	04-06 1200 EVO Sportster W / .030" Head Gasket	\$132.75
C9176	07 1200 EVO Sportster NEW!	\$190.95

• Top End Gasket Kits

C9759	86-90 883 EVO Sportster	\$93.50
C9760	91-03 883 EVO Sportster	\$93.50
C9194	04-06 883 EVO Sportster NEW!	\$150.95
C9192	07 883 EVO Sportster NEW!	\$150.95
C9761	86-87 1100 EVO Sportster	\$93.50
C9762	88-90 1200 EVO Sportster	\$93.50
C9907	88-90 1200 EVO Sportster W / .030" Head Gasket	\$93.50
C9763	91-03 1200 EVO Sportster	\$93.50
C9854F	91-03 1200 EVO Sportster W / .030" Head Gasket	\$93.50
C9970	04-06 1200 EVO Sportster	\$93.50
C9971	04-06 1200 EVO Sportster W / .030" Head Gasket	\$93.50
C9177	07 1200 EVO Sportster NEW!	\$150.95

• Big Bore Top End Gasket Kits

C9772	3 3/4" Bore; 86-90 883 EVO Sportster	\$93.50
C9773	3 3/4" Bore; 91-UP 883 EVO Sportster	\$97.85
C9774	3 3/4" Bore; 86-87 1100 EVO Sportster	\$93.50
C9775	3 3/4" Bore; 88-90 1200 EVO Sportster	\$93.50
C9776	3 3/4" Bore; 91-03 1200 EVO Sportster	\$184.35
C9138	3 13/16" Bore; 91-03 1200 EVO Sportster W / .040" MLS Head Gasket	\$93.50
C9141	3 13/16" Bore; 91-03 1200 EVO Sportster W / .030" MLS Head Gasket	\$93.50



Gaskets for Harley-Davidson®

Complete • Top End • Rocker Box Kits & Individual Replacement Parts

Cometic Part #	OEM Part #	Description	Pkg. Qty.	Price
----------------	------------	-------------	-----------	-------

EST EVO SPORTSTER MOTOR GASKET KITS

• Rocker Box Rebuild Gasket Kit

C9764		86-90 883, 1100, 1200 EVO Sportster		\$42.05
C9765		91-03 883, 1200 EVO Sportster		\$42.05
C9954		04-06 883, 1200 EVO Sportster		\$42.05
C9195		07-Up All Sportster Models NEW!		\$42.05

1986-04 EVO SPORTSTER INDIVIDUAL REPLACEMENT GASKETS,SEALS, O-RINGS

• Rocker Cover Gaskets

C9196	17362-07	Outer Rocker Gasket al Sportster Models, 07 XL NEW!	2	\$14.00
C9197	17695-07	Inner Rocker Gasket al Sportster Models, 07 XL NEW!	2	\$4.00
C9198	17393-07	Rocker Breather Seal 07 XL NEW!	2	\$10.00
C9400	611486	Rocker Cover Washer copper	10	\$5.80
C9286	63858-49	87- 05 Rocker Cover Washer Gasket	10	\$5.15
C9014	17353-86A	87-90 Lower Rocker Cover Gasket rubber	5	\$29.80
C9279	17353-86	86 Lower Rocker Cover cork	5	\$31.55
C9280	17353-89	91-05 Lower Rocker Cover Gasket rubber	5	\$22.20
C9010	17354-86A	87-90 Upper Rocker Cover Gasket rubber	5	\$29.80
C9275	17354-86	86 Upper Rocker Cover cork	5	\$31.55
C9276	17354-89	91-03 Upper Rocker Cover Gasket rubber	5	\$22.20
C9283	17358-84A	86-05 Center Rocker Cover Gasket rubber	10	\$16.35
C9707	17358-84	86-04 Center Rocker Cover Cork	5	\$9.65
C9865	16800-84	86-04 One piece rocker base gasket .020" rubber coaed steel	2	\$13.55
C9561	16778-97X	86-04 Lower Rckr Cover to Head / Right, .020" Rubber Coated Steel	5	\$18.65
C9285	16778-84A	86-04 Lower Rckr Cover to Head / Right Gasket	5	\$9.30
C9563	16779-97X	86-04 Lower Rckr Cover to Head / Left, .020" Rubber Coated Steel	5	\$22.20
C9284	16779-84B	86-04 Lower Rckr Cover to Head / Left Gasket	5	\$15.15
C9481	26856-89	91-03 Umbrella Valve Seal	10	\$9.30

2004 SPORTSTER ROCKER BOXES ARE TWO PIECE AND DO NOT USE AN UPPER ROCKER RUBBER GASKET

• Head and Base Gaskets

C9688		Stock Bore EVO's 3.570" .030", "MLS" Design	2	\$39.65
C9689		Stock Bore EVO's 3.570" .040", "MLS" Design	2	\$39.65
C9690		3 5/8" Big Bore EVO's .030", "MLS" Design	2	\$39.65
C9691		3 5/8" Big Bore EVO's .040", "MLS" Design	2	\$39.65
C9694		3 3/4" Big Bore EVO's .030", "MLS" Design	2	\$39.65
C9695		3 3/4" Big Bore EVO's .040", "MLS" Design	2	\$39.65
C9692		3 13/16" Big Bore EVO's .030", "MLS" Design	2	\$39.65
C9693		3 13/16" Big Bore EVO's .040", "MLS" Design	2	\$39.65
C9287	26432-76A	86-05 Cylinder to Head Dowel O-ring	10	\$10.50
C9553	16774-96	86-05 Cylinder Base Gasket, .020" Rubber Coated Steel	2	\$21.00
C9008	16774-86D	86-05 Cylinder Base Gasket, .020" Fiber	2	\$3.95
C9836		86-99 Valve Guide Seal "VITON"	25	\$64.65
C9023	18001-83A	86-99 Valve Guide Seal "TEFLON"	25	\$40.85



Gaskets for Harley-Davidson®

Complete • Top End • Rocker Box Kits & Individual Replacement Parts

Cometic Part #	OEM Part #	Description	Pkg. Qty.	Price
----------------	------------	-------------	-----------	-------

1986-04 EVO SPORTSTER INDIVIDUAL REPLACEMENT GASKETS,SEALS, O-RINGS

• Pushrod O-Ring Kit NEW!

C9143		91-03 Sportster Pushrod O-ring Kit	KIT	\$12.25
-------	--	------------------------------------	-----	---------

≈• Pushrod and Tappet Block Gaskets and O-rings

C9955	17976	2004-UP Tappet block gasket	2	\$13.90
C9956	11377	2004-UP Lower pushrod tube O-ring	25	\$66.90
C9459	11132	86-90 Pushrod Tube O-ring Middle	25	\$3.45
C9293	11145	86-90 Pushrod Tube O-ring Lower	25	\$7.00
C9292	111157	86-90 Pushrod Tube O-ring Upper	25	\$17.90
C9448	11110	86-90 Tappet Screw O-ring	10	\$4.65
C9443	11167	86-90 Tappet Block O-ring Upper	25	\$9.30
C9444	11168	86-90 Tappet Block O-ring Lower	10	\$9.30
C9294	11190	91-99 Pushrod Tube O-ring Upper, 2004 P/r tube lower	10	\$8.95
C9295	17944-89	91-99 Pushrod Tube O-ring Lower	10	\$15.55
C9296	11176	91-99 Tappet Pin Cover O-ring	10	\$0.90

• Intake and Exhaust Gaskets

C9290	26995-86A	86-04 Intake Manifold to Head / Seal	10	\$17.50
C9088	27002-89	84-04 Intake Seal to Carb	1	\$5.80
C9719	65324-83	86-04 Exhaust Port Gasket "RACE STYLE"	10	\$35.60
C9288	65324-83A	93-04 Exhaust Port Gasket "TAPERED STYLE"	10	\$42.10

• Cam Cover Gaskets

C9355	11124-DL	86-99 Points Cover Seal Double Lip	5	\$9.05
C9306	32591-80	86-99 Points Cover Gasket	10	\$9.80
C9311	25263-86	86-90 Cam Cover Gasket	10	\$29.20
C9313F5	25263-90B	91-03 Cam Cover Gasket	5	\$53.40
C9944F5	25263-90D	2004-UP Cam Cover Gasket	5	\$28.35

• Primary Cover Gaskets ,Seals

C9125		2004-UP Sportster Complete Primary Rebuild	Kit	\$26.75
C9943F5	34955-04	2004-UP Primary Cover Gasket	5	\$92.60
C9957	34986-04	2004 -UP Chain Inspection Cover Gasket .060" AFM	5	\$20.40
C9435	11105	2004 -UP Primary drain plug O-ring	10	\$4.00
C9436	11171	86-UP Primary Inspection Cover Screw O-ring	10	\$5.80
C9447	11179	88-99 Clutch Cable O-ring	25	\$3.45
C9434	11187	91-93 Clutch Inspection Cover O-ring	10	\$7.00
C9439	11188	91-99 Inspection Cover O-ring	10	\$7.00
C9958	25463-94	94-04 Clutch Cover O-ring	5	\$31.20
C9363	31433-84A	91-93 Sealing Washer	5	\$5.65
C9401	34624-77	77-90 Footpeg Stud Gasket	10	\$11.30
C9310F5	34955-75	77-90 Primary Cover Gasket, AFM60	5	\$92.60
C9314F5	34955-89A	91-99 Primary Cover Gasket, AFM60	5	\$92.60
C9354	37101-84	86-UP Shifter Shaft Seal	1	\$2.30
C9353	35151-74	86-99 Motor Sprocket Shaft Seal	5	\$19.00
C9632	12068	2004-UP Motor Sprocket Shaft Seal	5	\$27.25
C9667	11289	2004-UP Crank Position Sensor O-ring	25	\$3.45

Complete • Top End • Rocker Box Kits & Individual Replacement Parts

Cometic Part #	OEM Part #	Description	Pkg. Qty.	Price
----------------	------------	-------------	-----------	-------

1986-04 EVO SPORTSTER INDIVIDUAL REPLACEMENT GASKETS,SEALS, O-RINGS

• Oil Pump and Related Gaskets,Seals, and O-rings

C9376	12036A	86-90 Oil Pump Seal metal	5	\$6.75
C9449	26433-77	86-90 Oil Pump Check Valve O-ring	10	\$8.15
C9439	26434-76A	86-90 Oil Pump O-ring	10	\$7.00
C9437	26434-91	91-UP Oil Pump Cover O-ring	10	\$2.60
C9399	26495-75	86-90 Oil Pump Gasket	10	\$8.15
C9315	26495-89B	91-UP Oil Pump Gasket	10	\$7.00
C9961	11120	2004-UP Oil dipstick O-ring	5	\$3.45
C9962		2004-UP Oil jet assembly gasket	6	\$9.35

• Starter and Transmission Gaskets,Seals, and O-rings

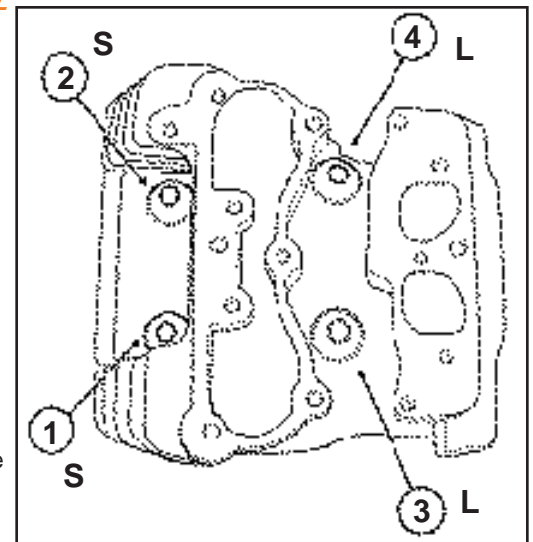
C9312	31488-81B	86-UP Starter Gasket	10	\$6.75
C9362	12030	91-UP Main Drive Gear Seal	5	\$9.30
C9356	12049-DL	86-90 Transmission M/S Seal	5	\$9.05
C9359	12050	91-94 Transmission M/S Seal	1	\$4.65
C9262	12067A	95-99 Main Drive Gear Seal	1	\$5.80
C9361	11165	2004-UP Main shaft quad seal	10	\$11.65

Cometic MLS Head Gasket Instructions for Harley Davidson applications

NOTE: DO NOT USE THE CYLINDER HEAD ALIGNMENT DOWEL O-RING WHEN USING AN MLS GASKET.

NOTE: COMETIC GASKET RECOMMENDS THE HEAD BOLTS BE SET AT A FINAL TORQUE OF 42FTLBS.

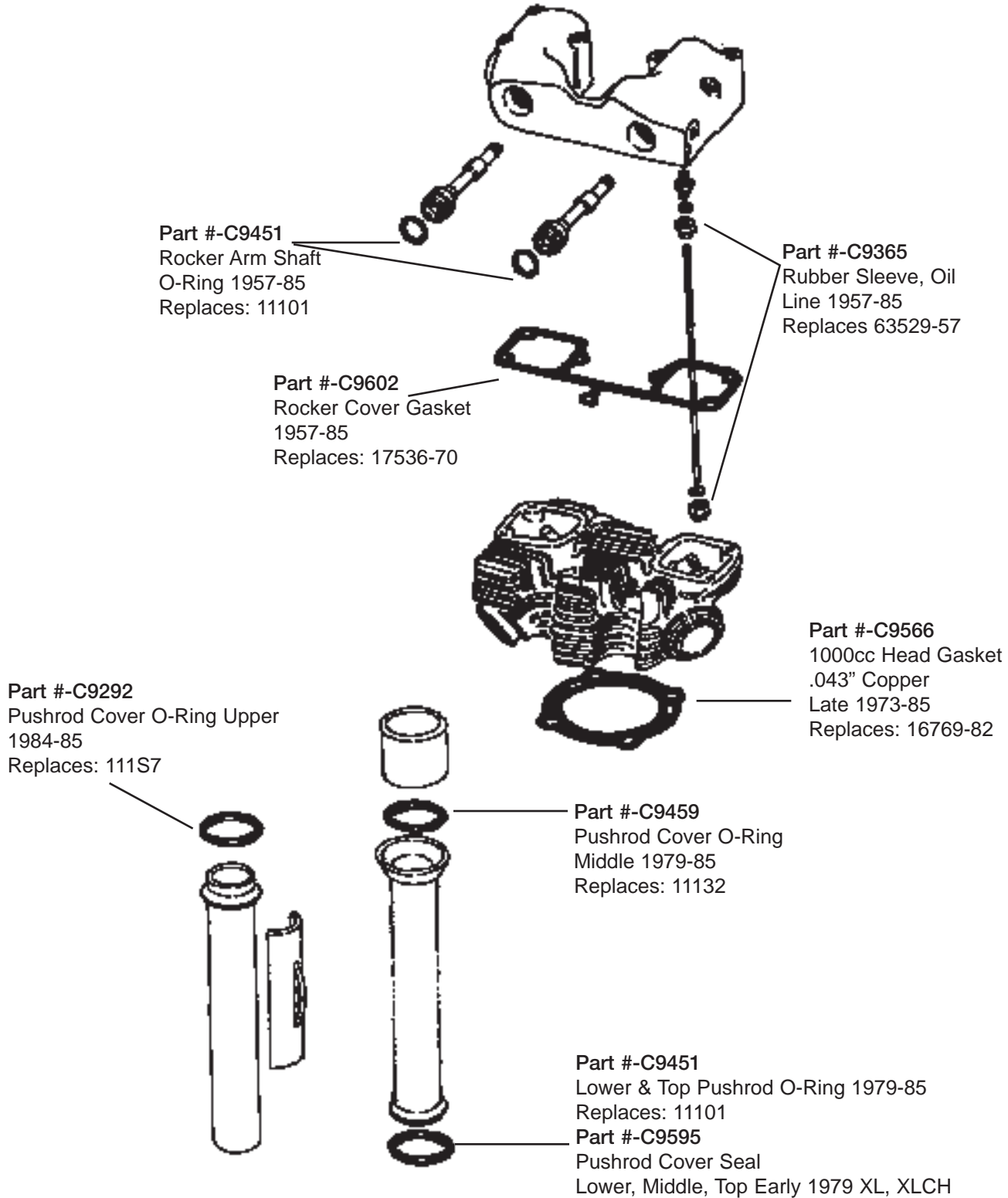
1. Check all gasket surfaces for flatness and imperfections, an excessively rough finish may cause gasket failure.
2. Check all hardware for defects, clean all threads and lubricate with light machine oil. Including the underside flange of the head bolts. (Wipe away any excess.)
3. There are two short and two long head bolts. The short go on the spark plug side while the long go on the push-rod side.
4. Before installing the head, place the head gasket on the cylinder and locate the gasket using the cylinder head alignment dowels (NOTE THE GASKET IS EMBOSSED AROUND THE DOWEL AREA AND THE DOWEL HOLES ARE SMALLER. DO NOT USE DOWEL ALIGNMENT O-RINGS WITH AN MLS GASKET.)
5. Once the gasket is located in place make sure the gasket fits your bore. The gasket should not hang in the bore or combustion chamber in any area.
6. If using a head or cylinder other than stock, check brass rivet location to ensure the rivet does not interfere with the sealing surface in any way. Some aftermarket castings are substantially larger than stock castings and may interfere. Simply remove the brass rivets, "side cutters work well".
7. Once proper fitment is established proceed with head installation and torque. (NOTE: SEE ILLUSTRATION FOR SEQUENCE.)
8. Alternately snug all the head bolts finger tight.
9. In sequence tighten all head bolts to 9 ft-lbs. Then in sequence tighten all head bolts to 14 ft-lbs. Again in sequence tighten all head bolts to 22 ft-lbs. Then in sequence tighten all head bolts to 35 ft-lbs and finally torque all head bolts to a final torque of 42ft-lbs in sequence.



S= Short Bolt
L= Long Bolt

Note: Failure to comply with any or all of these instructions may result in premature failure of the head and or base gasket.

Iron Sportster®





Gaskets for Harley-Davidson®

Complete • Top End • Rocker Box Kits & Individual Replacement Parts

Cometic Part #	OEM Part #	Description	Pkg. Qty.	Price
----------------	------------	-------------	-----------	-------

STANDARD MOTOR KITS FOR 900/1000 SPORTSTER

• Complete Gasket Kits for 900/1000 Sportster

C9045F	17026-71	1957-71 900 Sportster XL, XLH, XLCH		\$121.20
C9047F	17026-72	1972-E73 1000 Sportster XLH, XLCH		\$103.50
C9049F	17026-73L	1973-76 1000 Sportster XLH, XLCH		\$101.65
C9051F	17026-79	1977-85 1000 Sportster XLH, XLCH, XLS Hi-Compression		\$116.30
C9117F	17026-82	1982-85 1000 Sportster XLH, XL, XLS Low Compression, .063" Head Gaskets		\$108.35

(Kit contains .032" copper head gaskets and all of the necessary gaskets, seals and o-rings to rebuild the motor. Base Gaskets are .031")

• Top End Gasket Kits for 900/1000 Sportster

C9102	17030-57	1957-71 900 Sportster XL, XLH, XLCH		\$48.15
C9103	17030-72	1972-E73 1000 Sportster XLH, XLCH		\$48.15
C9104	17030-72AL	1973-76 1000 Sportster XLH, XLCH		\$48.15
C9052	17030-72B	1977-85 1000 Sportster XLH, XLCH, XLS Hi-Compression		\$48.15
C9116	17030-82	1982-85 1000 Sportster XLH, XL, XLS Low Compression, .063" Head Gaskets		\$48.15

Kit contains all of the necessary gaskets, seals and o-rings to rebuild the motor from the cylinder base up. Head Gaskets are .032" copper except where noted and Base Gaskets are .031".

1957-85 XL IRONHEAD SPORTSTER INDIVIDUAL REPLACEMENT GASKETS,SEALS, O-RINGS

• Rocker Cover Gaskets

C9400	6114	86 Rocker Cover Washer copper	10	\$5.80
-------	------	-------------------------------	----	--------

• Rocker Cover Gaskets,Seals,and O-rings

C9451	11101	57-85 Rocker Arm Shaft O-ring	10	\$3.95
C9448	11110	83-85 XR1000 Rocker Shaft O-ring	10	\$4.65
C9529	11115	83-85 XR1000 Rocker Arm Shaft O-ring	10	\$7.00
C9602	17536-70	57-85 Rocker Cover Gasket	10	\$8.75
C9365	63529-57	57-85 Rubber Sleeve, Oil Line	10	\$7.90

• Head and Base Gaskets

C9698	16769-72A	72-E73 1000cc Head Gasket , .020" Copper	10	\$106.95
C9565	16769-73	L73-85 1000cc Head Gasket , .032" Copper	10	\$106.95
C9566	16769-82	L73-85 1000cc Head Gasket , .043" Copper	10	\$76.55
C9699	16774-57	57-71 900cc Cylinder Base Gasket, .012' fiber	10	\$38.00
C9603	16774-72	72-85 1000cc Cylinder Base Gasket, .031" Fiber	10	\$18.40

• Pushrod and Tappet Block Gaskets, O-rings

C9459	11132	79-85 Pushrod Cover O-ring (4) middle	25	\$3.45
C9292	11157	84-85 Pushrod Cover O-ring (4) upper	25	\$17.90
C9369	12023	83-85 XR 1000 Pushrod Cover Seal	5	\$12.85
C9598	17955-36	57-E79 Pushrod Cover Seal / cork	25	\$7.70
C9408	17955-36A	57-E79 Pushrod Cover Seal / rubber	100	\$53.80



Gaskets for Harley-Davidson®

Complete • Top End • Rocker Box Kits & Individual Replacement Parts

Cometic Part #	OEM Part #	Description	Pkg. Qty.	Price
----------------	------------	-------------	-----------	-------

1957-85 XL IRONHEAD SPORTSTER INDIVIDUAL REPLACEMENT GASKETS,SEALS, O-RINGS

• Intake and Exhaust Gaskets

C9608	27062-78	79-85 Intake Manifold to Head O-ring	10	\$17.40
-------	----------	--------------------------------------	----	---------

• Cam and Timer Compartment Gaskets

C9355	11124DL	71-85 Timer Compartment Seal / double lip	5	\$9.05
C9325	32522-37	57-64 XL, XLH Timer Base Gasket	10	\$9.30
C9316F5	25224-52A	57-81 Cam cover Gasket NEW!	5	\$62.05
C9332	25263-81	82-85 Cam Cover Gasket	10	\$26.85
C9323	32591-70	71-78 Point Cover Gasket	10	\$9.85
C9306	32591-80	80-85 Ignition Cover Gasket	10	\$9.80

• Charging and Starting Gaskets

C9433	11116	81-85 Starter Housing O-ring	25	\$5.80
C9701	31461-70	70-E79 Starter hole cover plate Gasket	10	\$22.05
C9324	31471-67A	67-80 Starter Housing Gasket	10	\$24.50
C9333	31488-77	67-80 Starter Housing Mount Gasket	10	\$4.65
C9312	31488-81	81-85 Starter Motor Gasket	10	\$6.75
C9702	60645-65	67-80 Solenoid Gasket	10	\$6.90
C9369	12023	68-69 XLCH Magneto Seal	5	\$12.85
C9327	29550-55	58-69 XLCH Magneto Cover Gasket	10	\$11.65
C9374	29603-48	58-E65 Magneto Seal	10	\$10.50
C9321	30143-58	58-E84 Generator Gasket	5	\$4.65

• Oil System Gaskets, O-rings and Seals

C9376	12036A	77-78 / 83-85 Oil Pump Outer Plate Seal	5	\$6.75
C9404	24978-57	57-76 Oil Strainer Gasket	10	\$5.65
C9349	26227-58	L58-76 Oil Pump Oil Seal	5	\$10.50
C9390	26256-52	57-76 Oil Pump Gasket	10	\$8.15
C9385	26258-52	57-E62, 72-76 Oil Pump Outer Cover Gasket	10	\$10.50
C9389	26258-62	L62-71 Oil Pump Outer Cover Gasket	10	\$10.50
C9388	26259-52	57-E62, 72-76 Oil Pump Inner Cover Gasket	10	\$11.65
C9386	26259-62	L62-71 Oil Pump Inner Cover Gasket	10	\$10.50
C9287	26432-76A	77-85 Oil Pump Body O-ring	10	\$10.50
C9449	26433-77	77-85 Check Valve Oil Pump O-ring	10	\$8.15
C9445	26434-76A	77-85 Oil Pump Cover O-ring	10	\$5.80
C9399	26495-75	77-85 Oil Pump Gasket	10	\$8.15
C9286	63858-49	71-85 Oil Level Screw Gasket	10	\$5.15

• Primary, Clutch, and Transmission Gaskets,Seals,and O-rings

C9446	11139	L78-85 Primary Filler Cap O-ring	10	\$5.80
C9317F5	34952-52	XR750, 58-69 XLCH Primary Cover Gasket AFM .060"	5	\$82.40
C9318F5	34955-67	67-76 XLH, 70-76 XLCH Primary Cover Gasket AFM .060"	5	\$103.25
C9703	34955-67A	67-76 XLH,70-76 XLCH Primary Cover Gasket .031"	5	\$118.80
C9326F	60567-36	58-69 XLCH Inspection Cover Gasket AFM .060"	5	\$18.10
C9458	11103	L57-66 XLH, 57-69 XLCH Clutch Gear O-ring	10	\$3.45
C9310F5	34955-75	77-90 Sportster Primary Cover Gasket AFM .060"	5	\$92.60



Gaskets for Harley-Davidson®

Complete • Top End • Rocker Box Kits & Individual Replacement Parts

Cometic Part # OEM Part # Description Pkg. Qty. Price
1957-85 XL IRONHEAD SPORTSTER INDIVIDUAL REPLACEMENT GASKETS,SEALS, O-RINGS

• Primary, Clutch, and Transmission Gaskets,Seals,and O-rings

Cometic Part #	OEM Part #	Description	Pkg. Qty.	Price
C9455	11119	67-70 XLH, 70 XLCH Clutch Gear O-ring	25	\$4.65
C9367	12021	67-70 XLH, 70 XLCH Clutch Gear Oil Seal	5	\$12.85
C9364	37339-53	57-70 Release Rod Oil Seal	10	\$7.90
C9368	37531-56B	57-66 XLH, 57-69 XLCH Clutch Gear Seal	5	\$9.05
C9371	37740-57	L57-66 XLH, 57-69 XLCH Clutch Shell Seal	5	\$17.50
C9513	37741-67	67-70 XLH, 70 XLCH Clutch Shell Seal	5	\$23.35
C9319	37762-52	57-70 Clutch Cover Gasket	10	\$39.30
C9374	33076-37	57-79 Kicker Shaft Seal	10	\$10.50
C9370	34035-52	57-85 Shifter Shaft Seal	5	\$9.30
C9401	34624-77	77-85 Left Footrest Stud Boss Gasket	10	\$11.30
C9356	12049DL	L84-85 Transmission Mainshaft Seal	5	\$9.05
C9366	35151-52A	57-E84 Trans Mainshaft Seal, 57-E74 Sprocket Shaft	5	\$11.65
C9353	35151-74	L84-85 Trans Mainshaft Seal, L74-85 Motor Sprocket Shaft	5	\$19.00

Part # Description Price

Rotax 600 Gaskets

C9500	Head and Base Only, Long Stroke, 3.860" Bore Supplied with .010 and .020 Copper Base Gasket (4.120" Sleeve Dia.)	\$36.30
C9501	Head and Base Only, Long Stroke, 3.908" Bore Supplied with .010 and .020 Copper Base Gasket (4.120" Sleeve Dia)	\$36.30
C9504	.005 Copper Base Gasket	\$10.70
C9502	.010 Copper Base Gasket	\$10.70
C9505	.016 Copper Base Gasket	\$10.70
C9503	.020 Copper Base Gasket	\$10.70
C9589	Ignition Cover Gasket	\$9.30
C9590	Clutch Cover Gasket	\$9.30

Rotax 250 Gaskets

C9591	Center Case Gasket	\$11.65
C9592	Clutch Cover Gasket	\$12.85
C9593	Intake Gasket	\$12.85
C9594	Base Gasket .020" Kevlar Fiber	\$6.75

Polaris Victory V92C Head & Base Gaskets

C8652	97mm Head Gasket (1 Pair) / 754cc	\$160.45
C8653	101mm Head Gasket (1 Pair) / 817cc	\$160.45

Copper Base Gaskets (Gaskets are also sold individually)

Part #	Description	Price
C9032	883 - 1200, Engine Builders Set (2 Each .005, .010, .016, .020)	\$85.55
C9030	883 - 1200, 1986-98, .005	\$10.70
C9024	883 - 1200, 1986-98, .010	\$10.70
C9028	883 - 1200, 1986-98, .016	\$10.70
C9025	883 - 1200, 1986-98, .020	\$10.70
C9033	1340, Engine Builders Set (2 Each .005, .010, .016, .020)	\$85.55
C9031	1340, 1984-98, .005	\$10.70
C9026	1340, 1984-98, .010	\$10.70
C9029	1340, 1984-98, .016	\$10.70
C9027	1340, 1984-98, .020	\$10.70

Part #	Description	Price
C9600	3 5/8", Engine Builders Set (2 Each .005, .010, .016, .020)	\$85.55
C9605	3 5/8", .005	\$10.70
C9610	3 5/8", .010	\$10.70
C9616	3 5/8", .016	\$10.70
C9620	3 5/8", .020	\$10.70
C9700	3 13/16", Engine Builders Set (2 Each .005, .010, .016, .020)	\$85.55
C9705	3 13/16", .005	\$10.70
C9710	3 13/16", .010	\$21.40
C9716	3 13/16", .016	\$21.40
C9720	3 13/16", .020	\$21.40

Squish Band / Quench Area

The Squish or Quench area is the space between the flat of the piston and the flat of the cylinder head. Different chamber designs utilize squish in different ways. A Bathtub or Pent roof chamber will commonly utilize the outer edges of the flat part of the head for the squish area while the combustion chamber is in the center creating a horizontal squish area. While a Hemi or Hemispherical chamber will often need to be cut or formed the match the radius on the piston creating an angled squish area.

Setting up the proper squish band or quench area can dramatically increase the performance of your engine. As the piston nears top dead center (TDC) a fuel and air mixture becomes trapped in the area between the head and the piston this mixture is squeezed out toward the combustion chamber at a very high velocity rate. You can maximize this effect with the proper squish clearance. Commonly used squish clearances for Twin Cam and Evolution Engines are .025" to .040" with .030" being optimum for most street engines. Shovelhead engines are commonly set between .040" to .060" for optimum performance. The Shovelhead will require much more work and in most cases the combustion chamber will need to be re-worked.

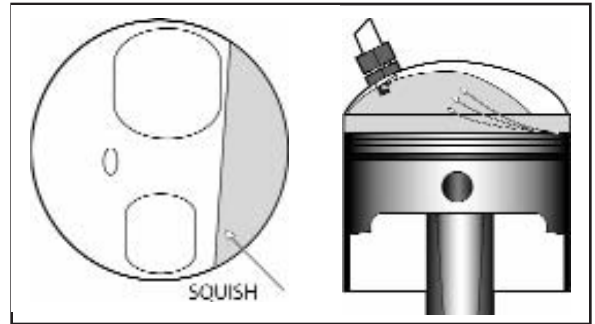
Actually setting up the clearance is fairly simple on the Twin Cam or Evolution Engine. First you must find out what your Deck height is. Deck height is where your piston is at TDC in relation to the cylinder surface. This is commonly checked with the cylinder on the engine using a .020" base gasket on an Evolution Engine or you can measure your cylinder with a venire caliper. A stock Evolution cylinder should measure 5.550" in length, in the case were your cylinder is stock length you can use a .020" base gasket and a .030" head gasket (Cometic recommends the MLS gaskets and these are compressed thickness numbers given). This will give you .030" squish clearance we feel optimum for street use.

Another way to check your squish clearance would be to clay the piston and take a measurement to find the appropriate combination of gaskets you will need.

A lot of people cut their heads to achieve a higher compression ratio, but this does not influence squish clearance. Proper squish clearance is achieved by using the correct combination of head and base gasket thickness.

Cometic Gasket Inc. recommends a qualified technician verify all modifications to your engine.

The information contained within is to be used only as a guide. Due to many uncontrollable variables Cometic Gasket Inc. recommends a qualified technician perform all service work.



WARRANTY DISCLAIMER*

Due to the nature of performance applications, the parts in this catalog are sold without any express warranty or any implied warranty of merchantability or fitness for a particular purpose. Cometic Gasket Inc. shall not, under any circumstances, be liable for any special, incidental or consequential damages, including, person, party or property, but not limited to, damage, or loss of property or equipment, loss of profits or revenue, cost of purchased or replacement goods, or claims of customers of the purchase, which may arise and/or result from sale, installation or use of these parts. Installation of these parts could adversely affect the motor manufacturers warranty coverage.

VENUE-The agreed upon venue, in the event of any dispute whatsoever between the parties, whether instituted by either party, including, but not limited to, contract terms, payment terms, delivery, type, defects, sufficiency of product, shall be the Court of Common Pleas, Lake County, Ohio or the Painesville Municipal Court, Lake County, Ohio, depending on the amount in controversy.

This agreement shall be governed by and construed under the laws of the State of Ohio.

All prices and terms are subject to change without notice.

Terms COD- Secured with a completed dealer/jobber application on file. COD-Company check with a current credit card number on file. Open accounts may be established by well rated firms. A credit application is available upon request. Open accounts are due payable Net 30 days from date of invoice. No statement will be sent. If an account becomes 60 or more days past due, it is subject to being placed on credit hold. No orders will be shipped or new orders accepted until past due balance is paid. If an account becomes 90 or more days past due, it is subject to being placed for collections. All costs of collection are the responsibility of the customer, including attorney fees, court costs, and other expenses of litigation.

Returns- Authorization (RGA) must be obtained in advance on all returns. A packing slip or invoice number must accompany the merchandise. No returns after 30 days from invoice date. All returns are subject to a 25% restocking charge. All custom designed and custom manufactured gaskets are non-returnable.

Only catalog parts are returnable.

Review your invoice and notify us immediately of any incorrect or inaccurate information. Shortages must be reported within 10 days.